

# CHIEF'S SHOP PLAN OF THE WEEK



## GARDEN WORK STOOL



### WHAT YOU'LL NEED



#### LUMBER

2 - 2x6x8  
1 - 5/4x6x8 decking  
*(availability will vary)*

#### HARDWARE/SUPPLIES

Kreg 2 1/2" pocket hole screws  
Kreg 1 1/2" pocket hole screws  
wood glue, wood filler,  
pocket hole plugs, choice of finish

#### TOOLS

miter saw  
sander  
drill/driver with right-angle attachment  
Kreg Jig  
clamps  
square

### ABOUT THESE PLANS

On this first page you will see above the project complete. On one of the last two pages you'll find the finished outer dimensions. Be sure to read ALL of the project steps before you start.

To the right is a list of the Lumber, Hardware/Supplies, and Tools you will need to complete this project. A measuring tape and pencil are not included because that should be pretty standard and self explanatory.

Below What You'll Need is the Parts list. This also is included on the Cutting Diagram page, which is the last page of this plan document. Also on the Cutting Diagram page is an estimate of the cost of the lumber. This estimate doesn't include any other supplies and does not factor in sales tax.

Throughout these plans you'll find the icons below:



### LAYOUT

This indicates a diagram detailing the dimensions of a project part and/or the placement for pocket holes, screws, nails, etc.



### NOTE

Notes are the instructions for a particular step/section of the project.



### TAKE CARE!

This indicates when to pay close attention to the diagrams, take precautions for safety, etc.



### MORE PLANS

Want more Chief's Shop plans? Visit [chiefs-shop.com](http://chiefs-shop.com) and look through the Plans section.  
Be sure to "Like" Chief's Shop on facebook by heading over to [facebook.com/ChiefsShop](https://www.facebook.com/ChiefsShop).



### NOTE

Apply glue to all mating parts.

### PARTS

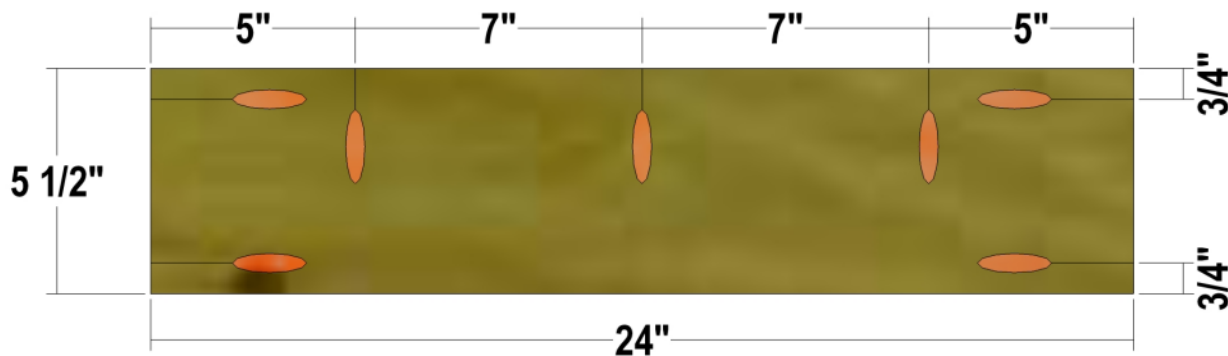
side rails (2) - 1 1/2 x 5 1/2 x 24  
end rails (2) - 1 1/2 x 5 1/2 x 11 1/2  
legs (4) - 1 1/2 x 5 1/2 x 15  
top slats (3) - 1 x 5 1/2 x 30

*All parts are listed in actual dimensions. Refer to the Cutting Diagram on the last page of this plan as a guide for determining the specific board from which to cut the parts.*

### VIDEO

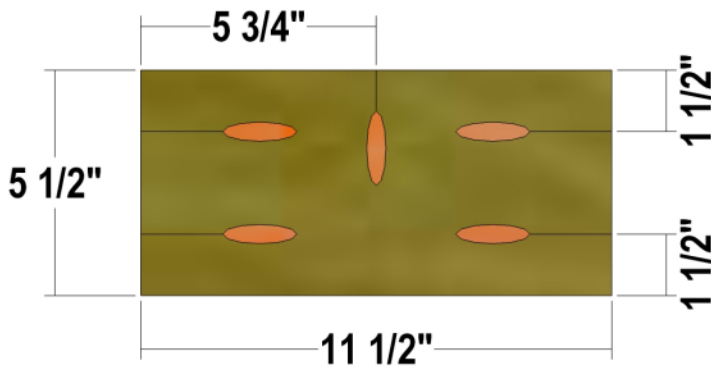
Check out Chief's Shop Videos on YouTube. ([click here](#))

**Side Rail**



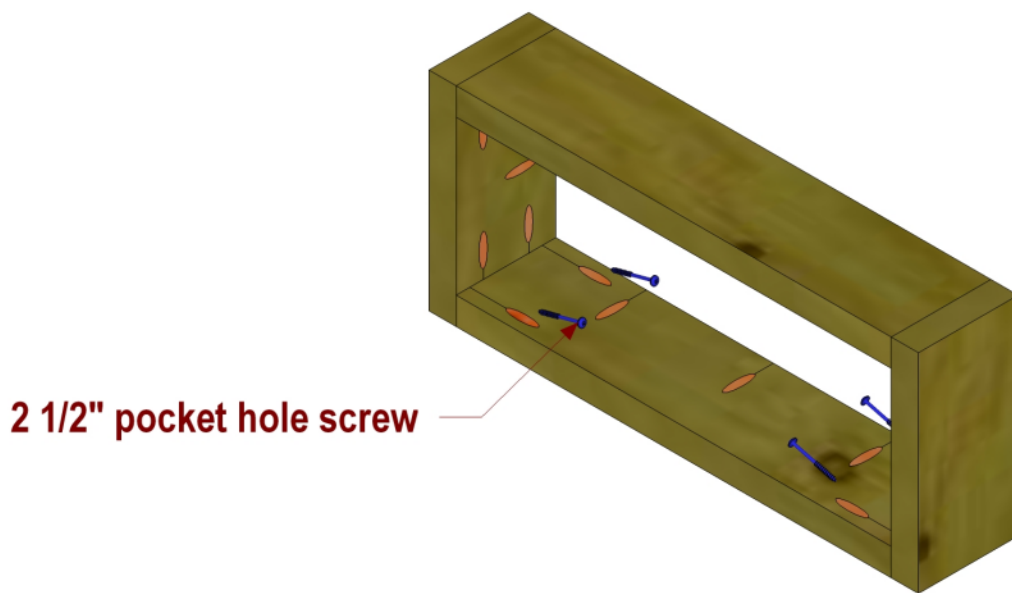
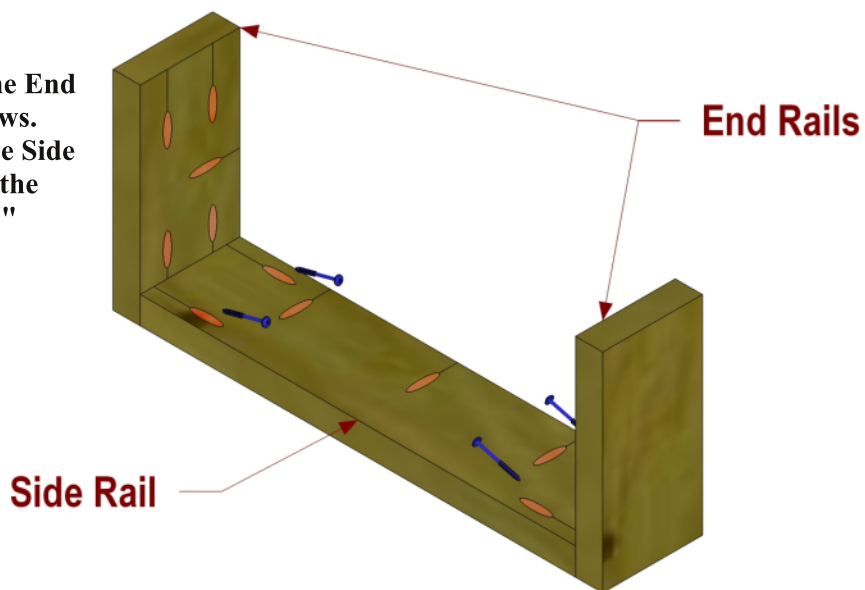
Use the layouts for creating the Side Rails and End Rails. Set your Kreg Jig and drill bit for 1 1/2" stock for the pocket holes on the ends and 1" stock for the pocket holes on the edges.

**End Rail**

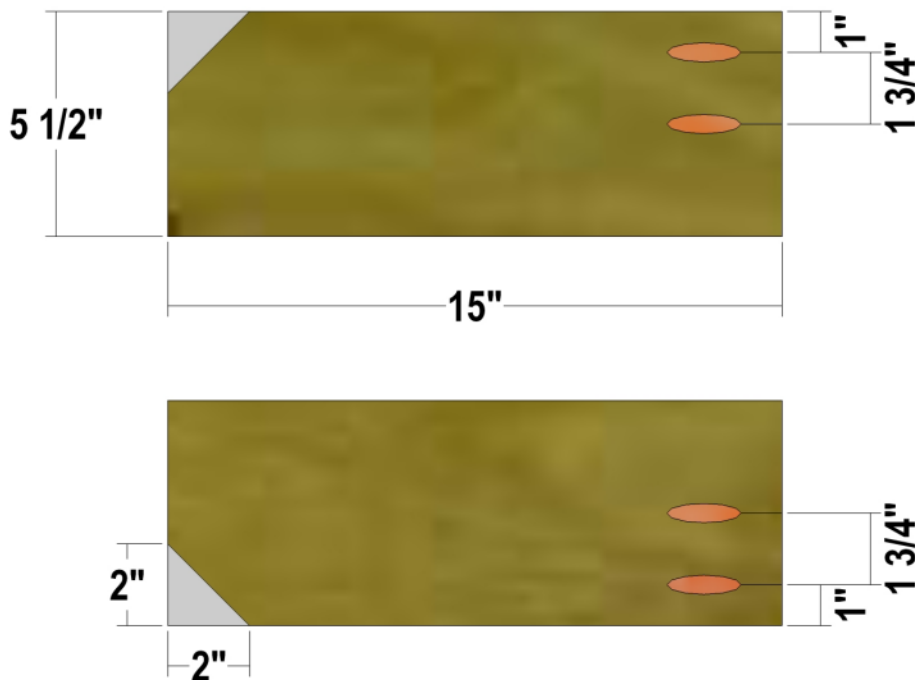


## NOTE

The Side Rails are to be attached to the End Rails to secure the position of the screws. Remove the screws after assembly. The Side Rails will be reattached later. Position the parts as shown, and attach using 2 1/2" pocket hole screws.

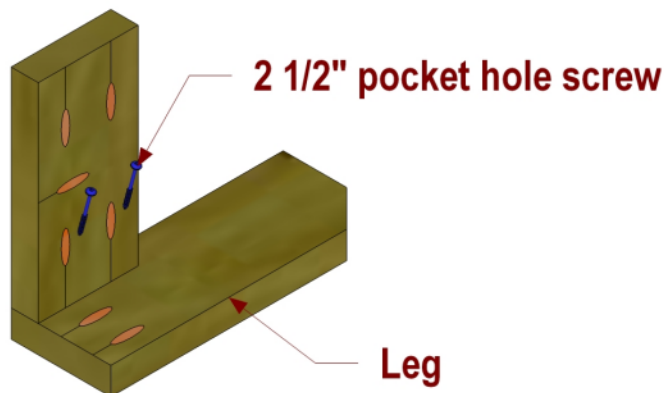


Legs



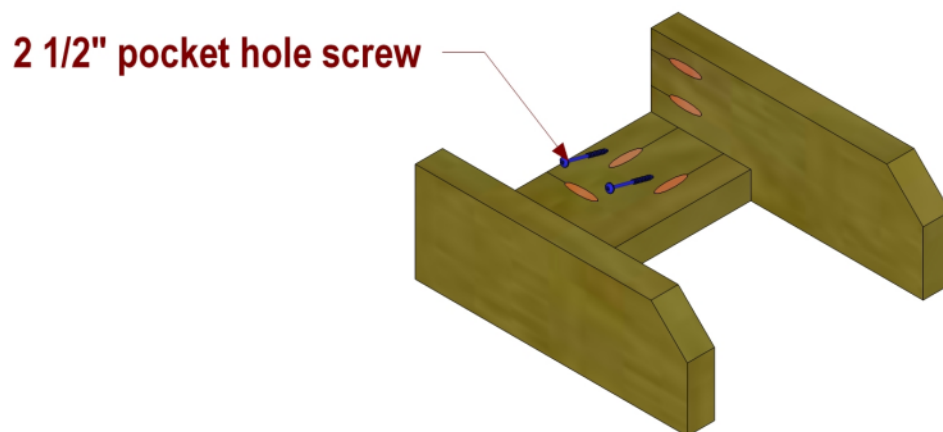
NOTE

Use the layouts for creating the Legs. The angle of the miter on the corners is 45 degrees. Set your Kreg Jig and drill bit for 1" stock for the pocket holes. Create two of each layout.



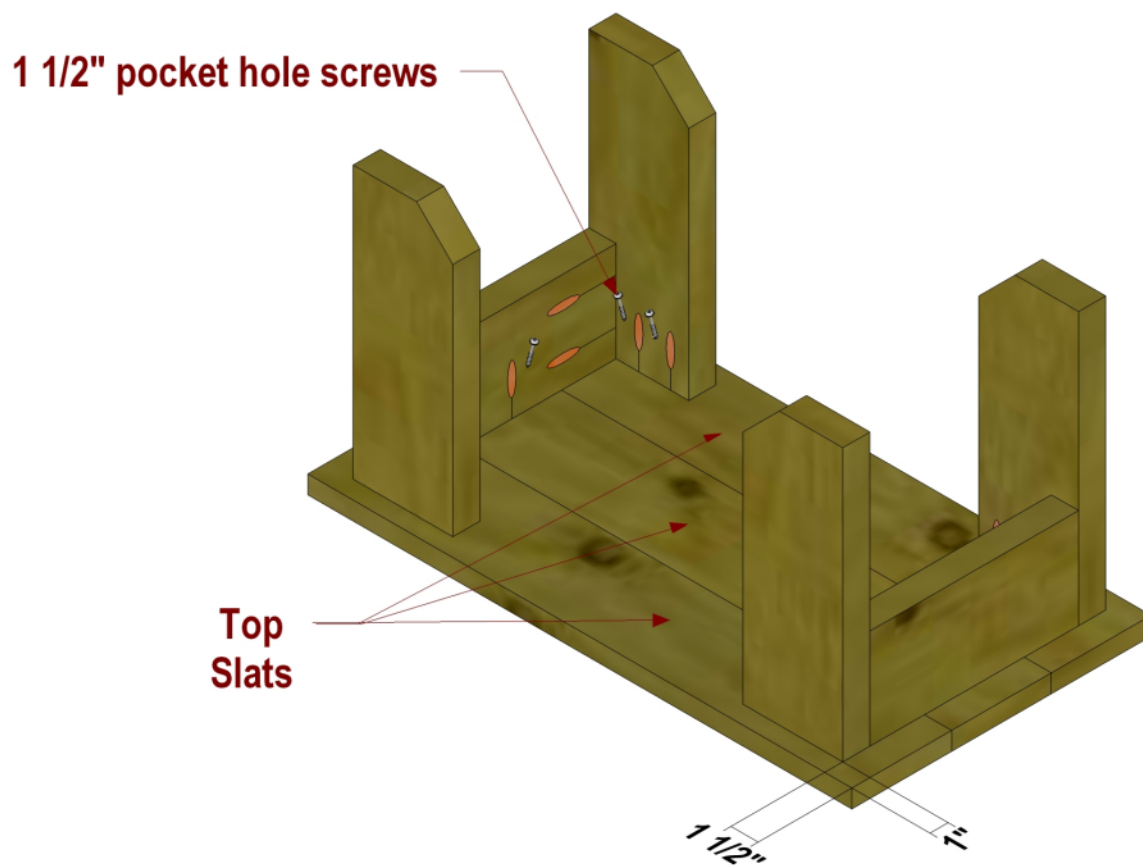
**NOTE**

Position the parts as shown, and attach using 2 1/2" pocket hole screws. You will need to use a right-angle attachment when driving the screws shown at bottom.



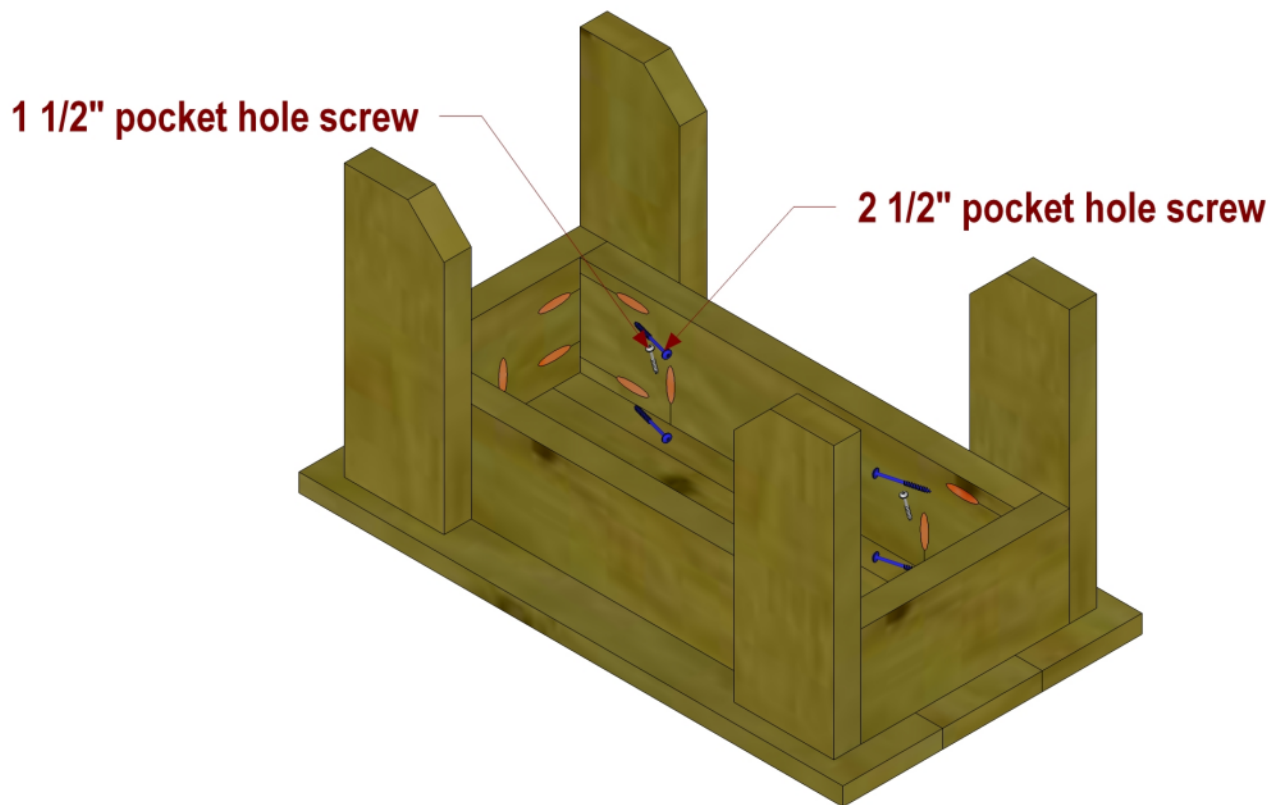
 **NOTE**

Position the parts as shown. Make sure the position is correctly centered by placing the Side Rails between the End Rails. Mark the positions of the End Rail/Leg assemblies, apply adhesive, and attach using 1 1/2" pocket hole screws.

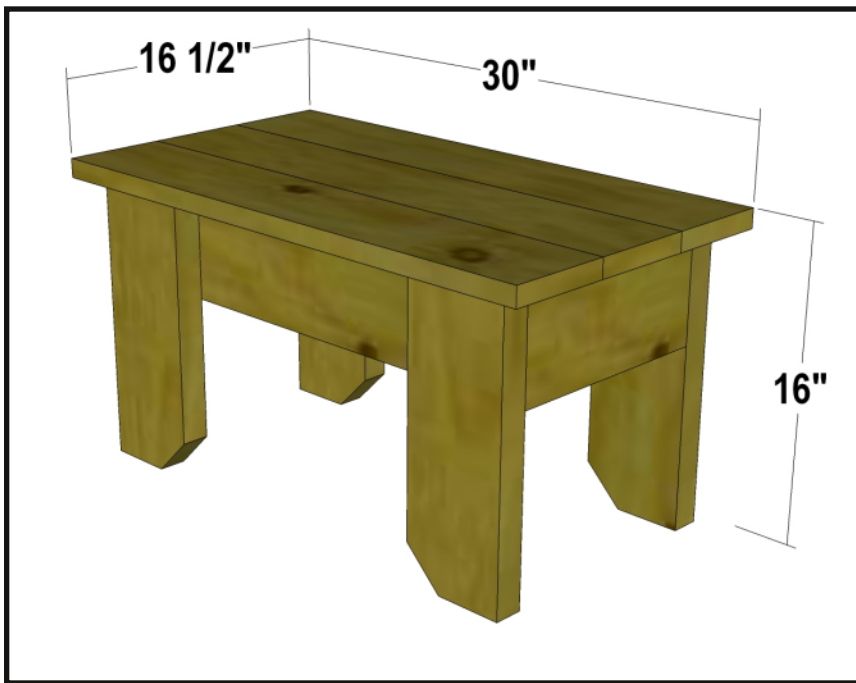
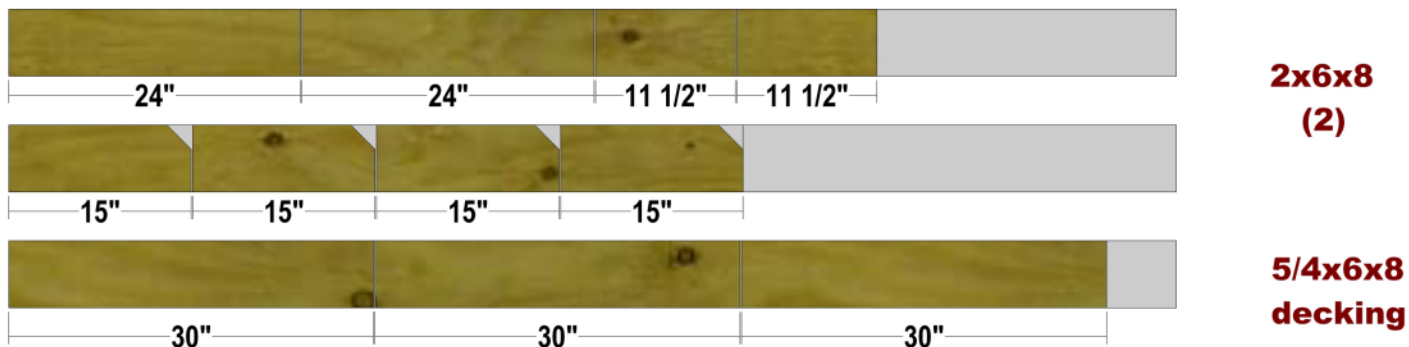


 **NOTE**

Position the Side Rails as shown, and attach to the End Rails using 2 1/2" pocket hole screws, and to the Top Slats using 1 1/2" pocket hole screws.



 **CUTTING DIAGRAM**



Estimated lumber cost: starting at \$18 for one

**PARTS**

- side rails (2) - 1 1/2 x 5 1/2 x 24
- end rails (2) - 1 1/2 x 5 1/2 x 11 1/2
- legs (4) - 1 1/2 x 5 1/2 x 15
- top slats (3) - 1 x 5 1/2 x 30

All parts are listed in actual dimensions. Refer to the Cutting Diagram on the last page of this plan as a guide for determining the specific board from which to cut the parts.

 **TAKE CARE!**

Follow ALL SAFETY GUIDELINES AND RECOMMENDATIONS provided by the manufacturers of your tools, and any chemicals such as glue and finishes you use in this project. YOU are responsible for your safety, so use common sense when working in the shop!