


CHIEF'S SHOP PLAN OF THE WEEK



FRONT PORCH SIDE TABLE



WHAT YOU'LL NEED



LUMBER

- 1 - 2x4x10
 - 1 - 1x6x8
 - 3 - 1x4x8
 - 1 - 1x2x2
- (availability will vary)*

HARDWARE/SUPPLIES

Kreg 1 1/4" pocket hole screws
wood glue, wood filler,
pocket hole plugs, choice of
finish

TOOLS

table saw with tapering jig
(optional)
miter saw, jigsaw
sander/belt sander
drill/driver
Kreg Jig
clamps
square

ABOUT THESE PLANS

On this first page you will see above the project complete. On one of the last two pages you'll find the finished outer dimensions. Be sure to read ALL of the project steps before you start.

To the right is a list of the Lumber, Hardware/Supplies, and Tools you will need to complete this project. A measuring tape and pencil are not included because that should be pretty standard and self explanatory.

Below What You'll Need is the Parts list. This also is included on the Cutting Diagram page, which is the last page of this plan document. Also on the Cutting Diagram page is an estimate of the cost of the lumber. This estimate doesn't include any other supplies and does not factor in sales tax.

Throughout these plans you'll find the icons below:



LAYOUT This indicates a diagram detailing the dimensions of a project part and/or the placement for pocket holes, screws, nails, etc.



NOTE Notes are the instructions for a particular step/section of the project.



TAKE CARE! This indicates when to pay close attention to the diagrams, take precautions for safety, etc.



MORE PLANS

Want more Chief's Shop plans? Visit chiefs-shop.com and look through the Plans section.
Be sure to "Like" Chief's Shop on facebook by heading over to [facebook.com/ChiefsShop](https://www.facebook.com/ChiefsShop).

PARTS

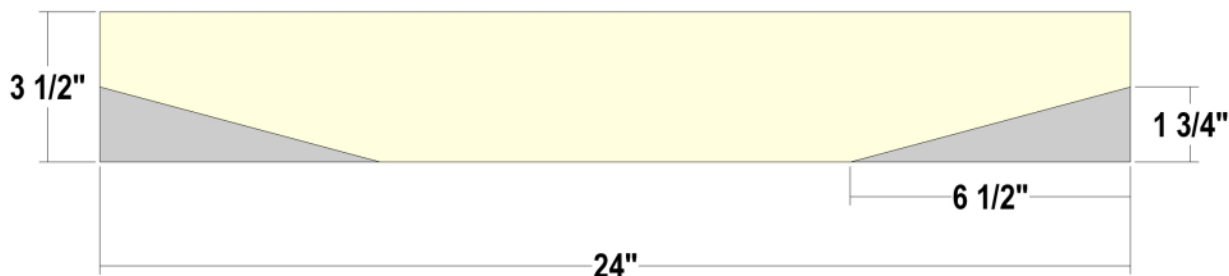
legs (4) - 1 1/2 x 3 1/2 x 24
top end rails (2) - 3/4 x 3 1/2 x 17 1/2
bottom end rails (2) - 3/4 x 3 1/2 x 14
top side rails (2) - 3/4 x 3 1/2 x 15 5/8
top stretcher (1) - 3/4 x 1 1/2 x 18
bottom side rails (2) - 3/4 x 3 1/2 x 15 5/8
bottom stretcher (1) - 3/4 x 3 1/2 x 18
top slats (4) - 3/4 x 5 1/2 x 22 5/8
long bottom slats (4) - 3/4 x 3 1/2 x 20 5/8
short bottom slats (2) - 3/4 x 3 1/2 x 15 5/8

All parts are listed in actual dimensions. Refer to the Cutting Diagram on the last page of this plan as a guide for determining the specific board from which to cut the parts.

VIDEO

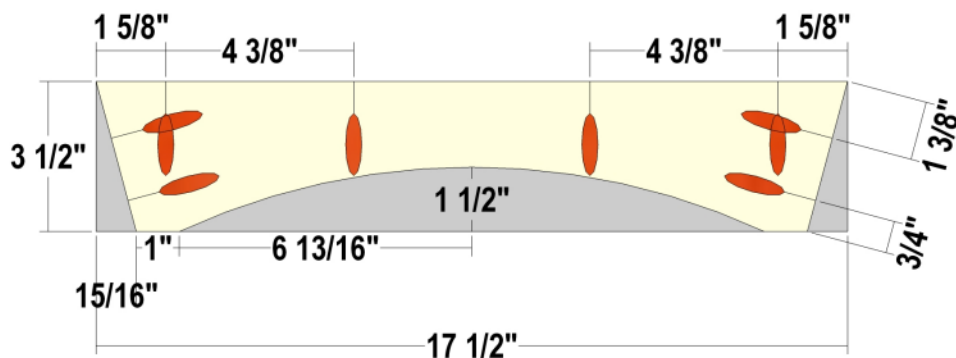
Check out Chief's Shop Videos on YouTube. ([click here](#))

Leg

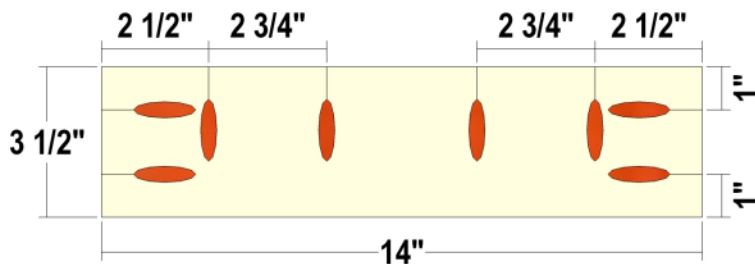


Use the layout for creating the Legs. The angle on the end cuts is 15 degrees. Use a table saw with a tapering jig or a jigsaw to make these angled cuts.

Top End Rail

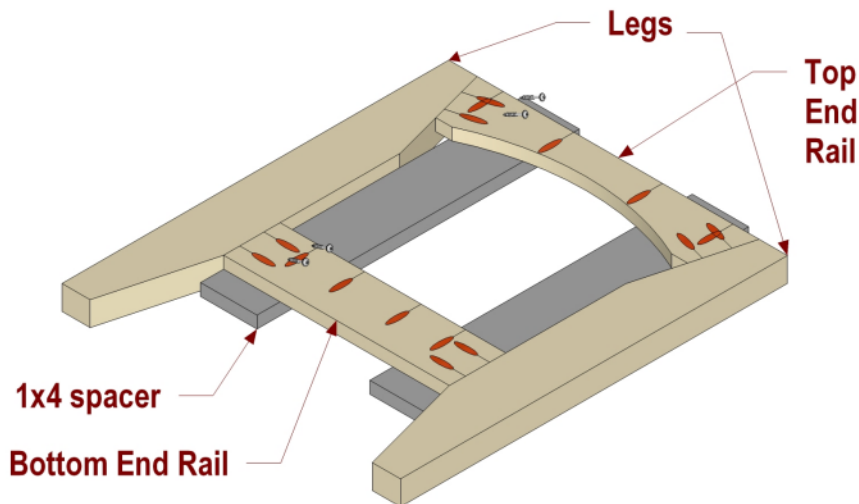


Bottom End Rail



Use the layout for creating the Top End Rails and Bottom End Rails. **Set your Kreg Jig and drill bit for 3/4" stock for all pocket holes. The angle on the end cuts of the Top End Rails is 15 degrees. Use a jigsaw to cut the arc on the Top End Rail. Note: Drill the pocket holes AFTER cutting the 15-degree angles on the Top End Rails.**

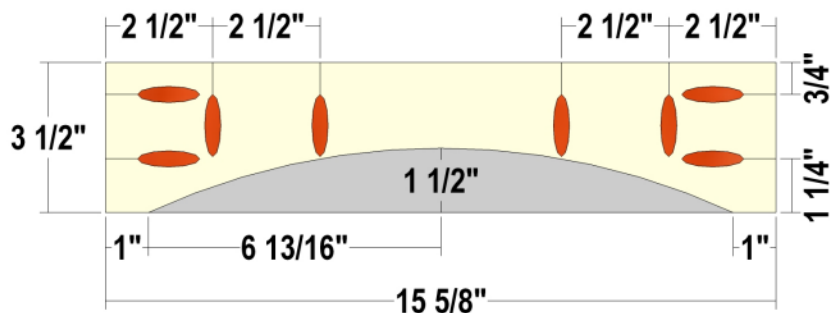
FRONT PORCH SIDE TABLE



NOTE

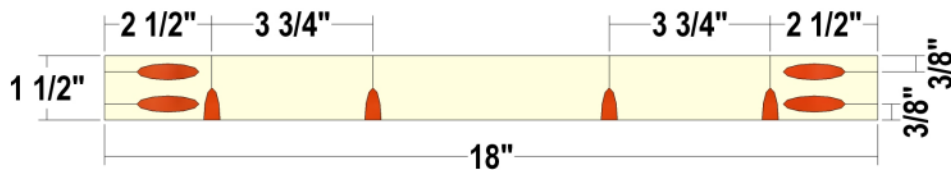
Apply glue to the ends of the Top End Rail and Bottom End Rail, position as shown, and attach using 1 1/4" pocket hole screws. Create two assemblies.

Top Side Rail



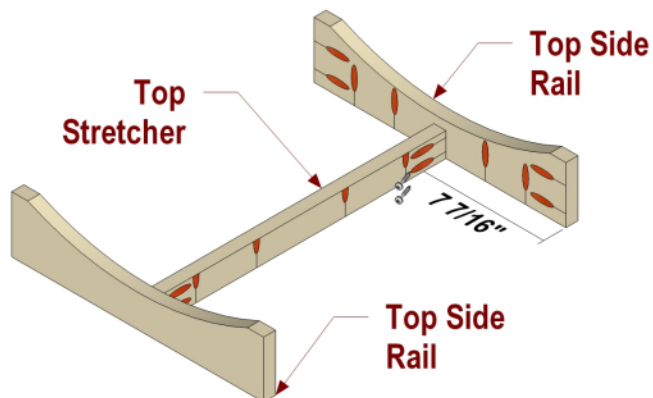
LAYOUT

Top Stretcher



NOTE

Use the layout for creating the Top Side Rails and Top Stretcher. Set your Kreg Jig and drill bit for 3/4" stock. Use a jigsaw to cut the arc on the Top Side Rail.

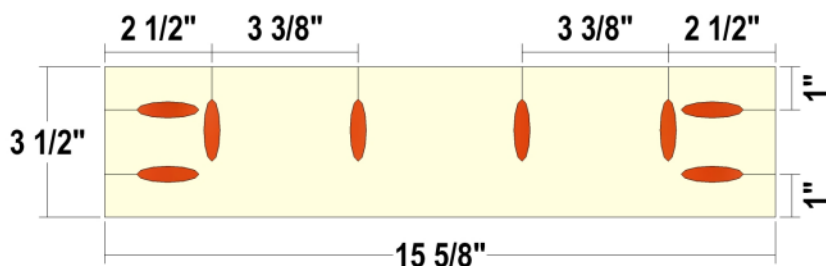


NOTE

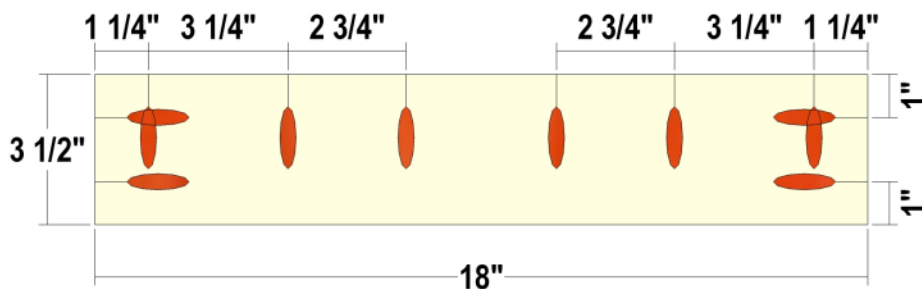
Apply glue to the ends of the Top Stretcher, position as shown, and attach using 1 1/4" pocket hole screws.

Bottom Side Rail

LAYOUT



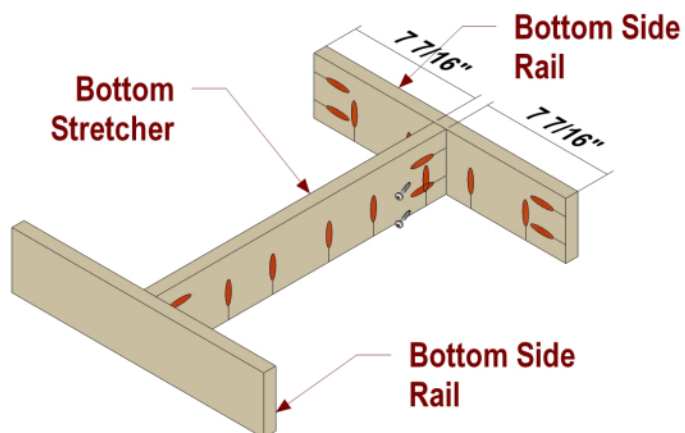
Bottom Stretcher



NOTE

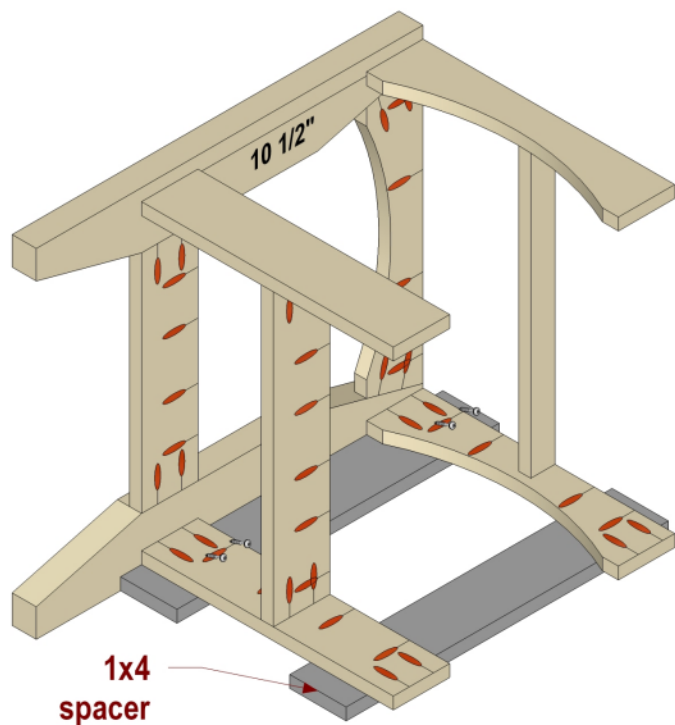
Use the layout for creating the Bottom Side Rails and Bottom Stretcher. Set your Kreg Jig and drill bit for 3/4" stock.

FRONT PORCH SIDE TABLE



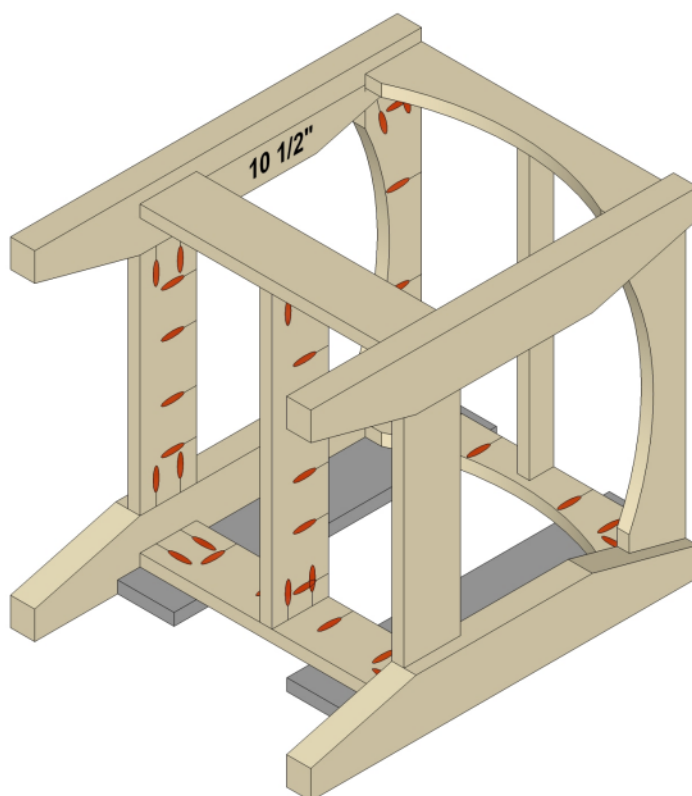
NOTE

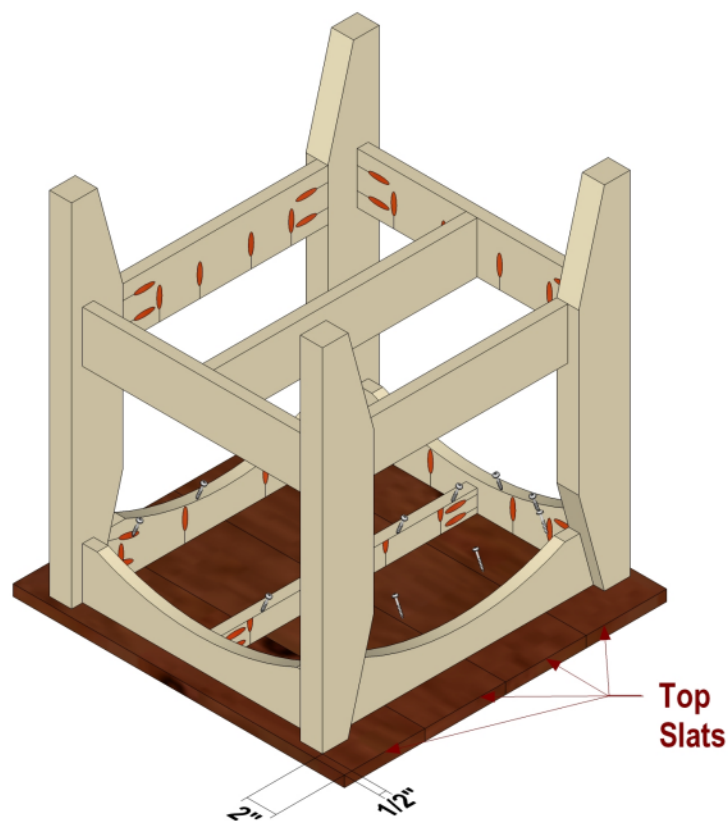
Apply glue to the ends of the Bottom Stretcher, position as shown, and attach using 1 1/4" pocket hole screws.



NOTE

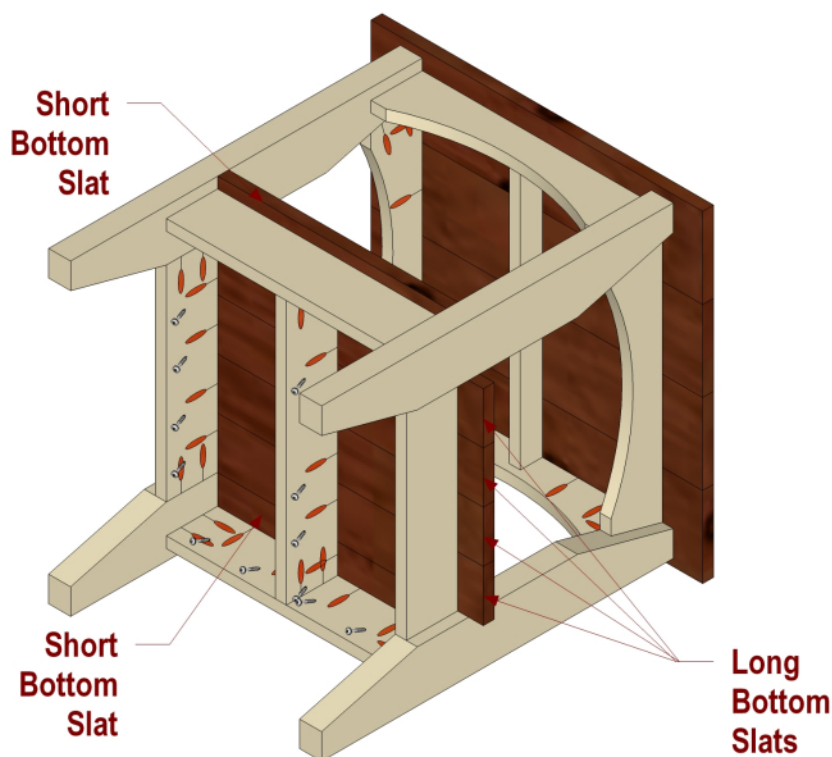
Apply glue to the ends of the Top Side Rails and Bottom Side Rails, position as shown, and attach using 1 1/4" pocket hole screws.





NOTE

Apply glue to the top edges of the Top End Rails, Top Stretcher, and Top Side Rails, as well as the top ends of the Legs, position the assembly on the Top Slats as shown at left, and attach using 1 1/4" pocket hole screws.

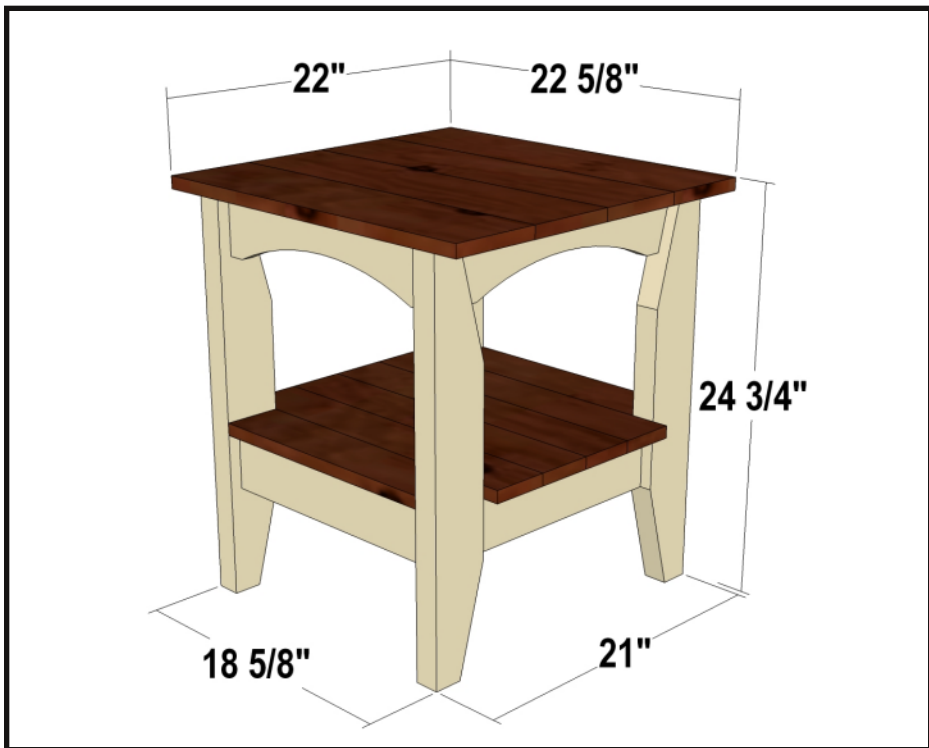
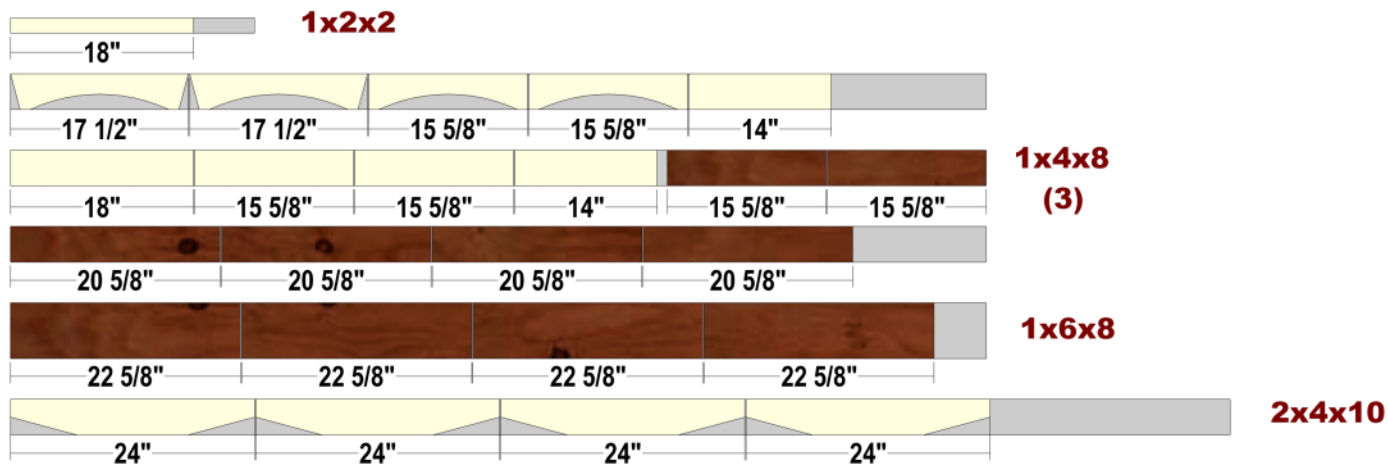


NOTE

Test fit the Long Bottom Slats and Short Bottom Slats before applying glue or attaching with pocket hole screws. Make adjustments, such as cutting the Short Bottom Slats slightly shorter, if needed. Apply glue to the top edges of the Bottom End Rails, Bottom Stretcher, and Bottom Side Rails, position as shown at left, and attach using 1 1/4" pocket hole screws.



CUTTING DIAGRAM



Estimated lumber cost:
starting at \$30

PARTS

- legs (4) - 1 1/2 x 3 1/2 x 24
- top end rails (2) - 3/4 x 3 1/2 x 17 1/2
- bottom end rails (2) - 3/4 x 3 1/2 x 14
- top side rails (2) - 3/4 x 3 1/2 x 15 5/8
- top stretcher (1) - 3/4 x 1 1/2 x 18
- bottom side rails (2) - 3/4 x 3 1/2 x 15 5/8
- bottom stretcher (1) - 3/4 x 3 1/2 x 18
- top slats (4) - 3/4 x 5 1/2 x 22 5/8
- long bottom slats (4) - 3/4 x 3 1/2 x 20 5/8
- short bottom slats (2) - 3/4 x 3 1/2 x 15 5/8

All parts are listed in actual dimensions. Refer to the Cutting Diagram on the last page of this plan as a guide for determining the specific board from which to cut the parts.

TAKE CARE!

Follow **ALL SAFETY GUIDELINES AND RECOMMENDATIONS** provided by the manufacturers of your tools, and any chemicals such as glue and finishes you use in this project. **YOU** are responsible for your safety, so use common sense when working in the shop!