

# CHIEF'S SHOP PLAN OF THE WEEK



## FRONT PORCH COFFEE TABLE



### WHAT YOU'LL NEED



#### LUMBER

3 - 2x4x8  
4 - 2x6x8  
*(availability will vary)*

#### HARDWARE/SUPPLIES

Kreg 2 1/2" pocket hole screws  
wood glue, wood filler,  
pocket hole plugs, choice of  
finish

#### TOOLS

table saw with tapering jig  
(optional)  
miter saw, jigsaw  
sander/belt sander  
drill/driver  
Kreg Jig  
clamps  
square

### ABOUT THESE PLANS

On this first page you will see above the project complete. On one of the last two pages you'll find the finished outer dimensions. Be sure to read ALL of the project steps before you start.

To the right is a list of the Lumber, Hardware/Supplies, and Tools you will need to complete this project. A measuring tape and pencil are not included because that should be pretty standard and self explanatory.

Below What You'll Need is the Parts list. This also is included on the Cutting Diagram page, which is the last page of this plan document. Also on the Cutting Diagram page is an estimate of the cost of the lumber. This estimate doesn't include any other supplies and does not factor in sales tax.

Throughout these plans you'll find the icons below:



### LAYOUT

This indicates a diagram detailing the dimensions of a project part and/or the placement for pocket holes, screws, nails, etc.



### NOTE

Notes are the instructions for a particular step/section of the project.



### TAKE CARE!

This indicates when to pay close attention to the diagrams, take precautions for safety, etc.



### MORE PLANS

Want more Chief's Shop plans? Visit [chiefs-shop.com](http://chiefs-shop.com) and look through the Plans section.  
Be sure to "Like" Chief's Shop on facebook by heading over to [facebook.com/ChiefsShop](https://www.facebook.com/ChiefsShop).



### PARTS



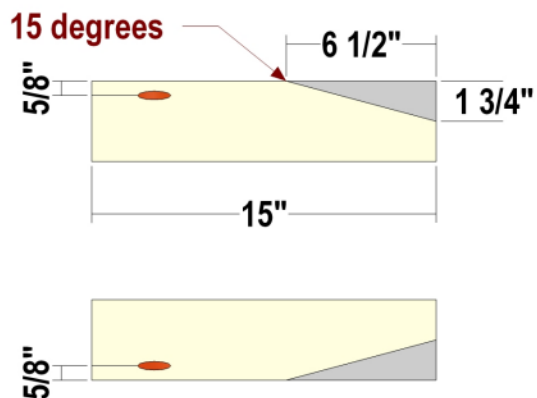
legs (4) - 1 1/2 x 3 1/2 x 15  
end rails (2) - 1 1/2 x 3 1/2 x 15 5/8  
stretchers (2) - 1 1/2 x 3 1/2 x 18 1/8  
side rails (2) - 1 1/2 x 3 1/2 x 52  
slats (4) - 1 1/2 x 5 1/2 x 63

*All parts are listed in actual dimensions. Refer to the Cutting Diagram on the last page of this plan as a guide for determining the specific board from which to cut the parts.*

### VIDEO

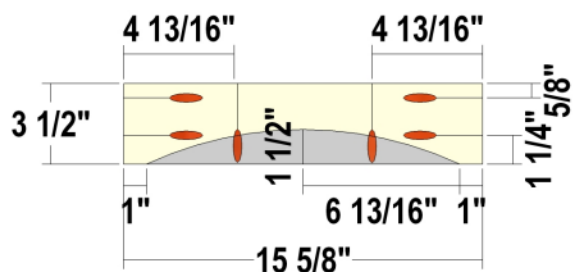
Check out Chief's Shop Videos on YouTube. ([click here](#))

**Legs**

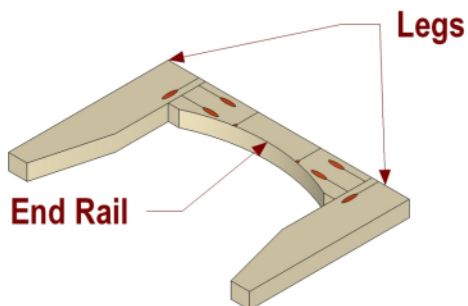


Use the layout for creating the Legs. The angle on the end cuts is 15 degrees. Use a table saw with a tapering jig or a jigsaw to make these angled cuts. **Set your Kreg Jig and drill bit for 1 1/2" stock for the pocket holes.**

**End Rail**

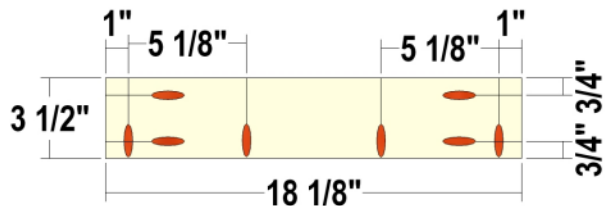


Use the layout for creating the End Rails. **Set your Kreg Jig and drill bit for 1 1/2" stock for the pocket holes. Use a jigsaw to cut the arc on the Top End Rail.**



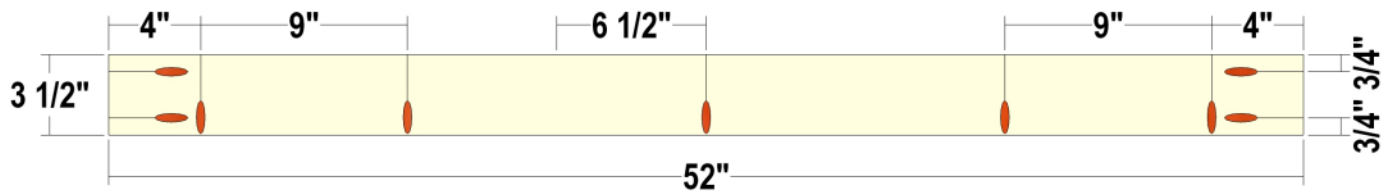
Apply glue to the ends of the End Rails, position as shown, and attach using 2 1/2" pocket hole screws. Create two assemblies.

**Stretcher**

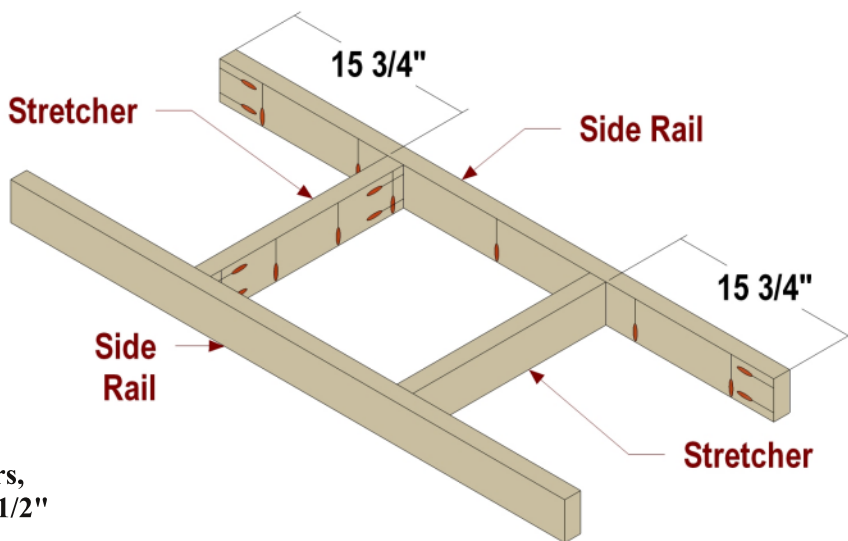


Use the layout for creating the Stretchers. Set your Kreg Jig and drill bit for 1 1/2" stock for the pocket holes.

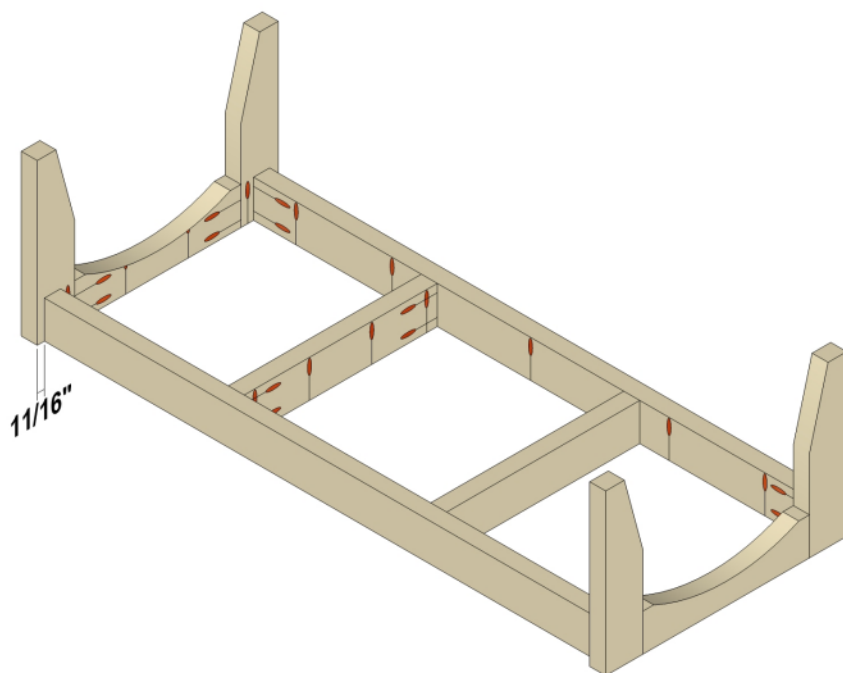
**Side Rail**



Use the layout for creating the Side Rails. Set your Kreg Jig and drill bit for 1 1/2" stock for the pocket holes.



Apply glue to the ends of the Stretchers, position as shown, and attach using 2 1/2" pocket hole screws.

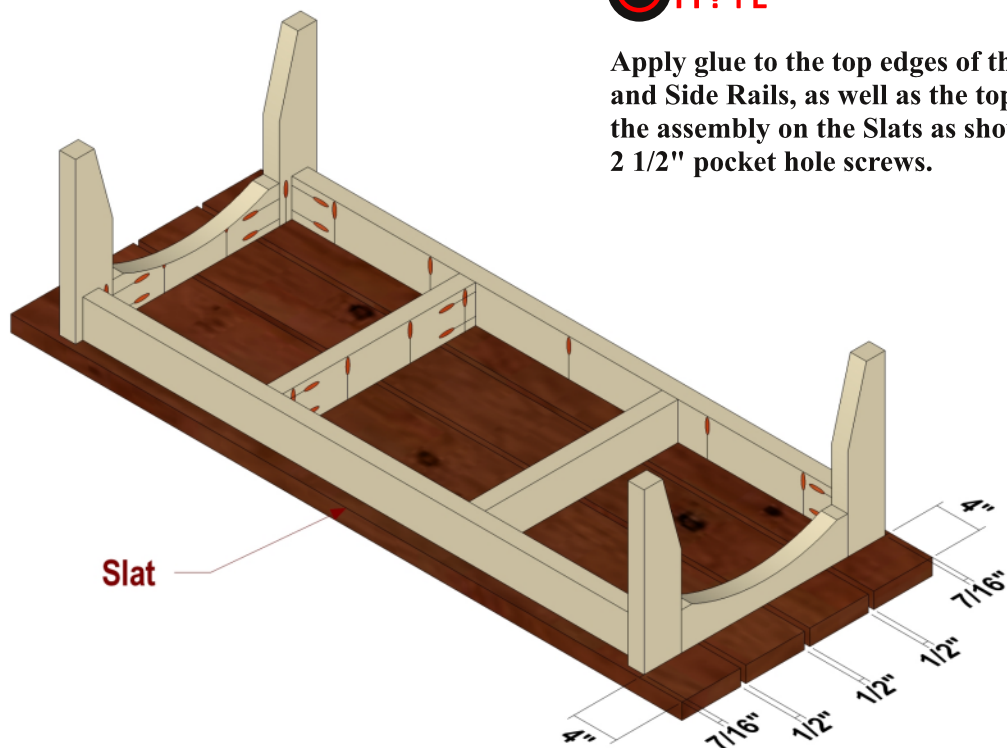


## NOTE

Apply glue to the ends of the Side Rails, position as shown, and attach using 2 1/2" pocket hole screws.

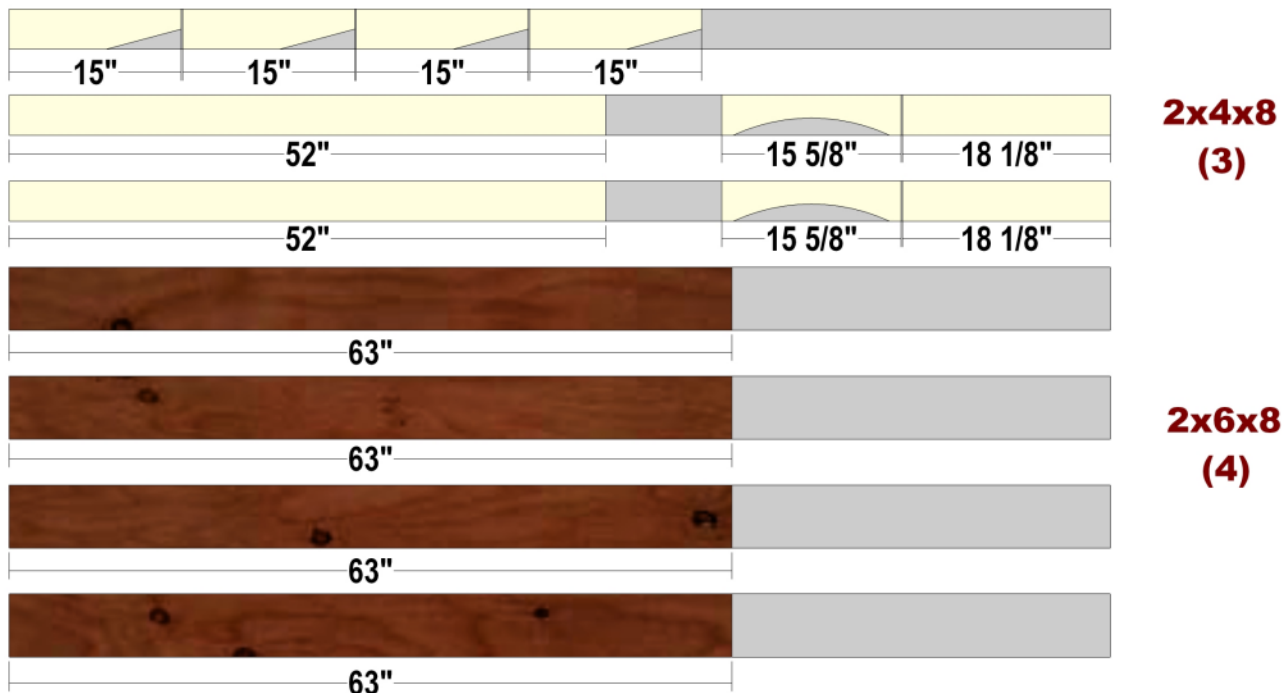
## NOTE

Apply glue to the top edges of the End Rails, Stretchers, and Side Rails, as well as the top ends of the Legs, position the assembly on the Slats as shown at left, and attach using 2 1/2" pocket hole screws.

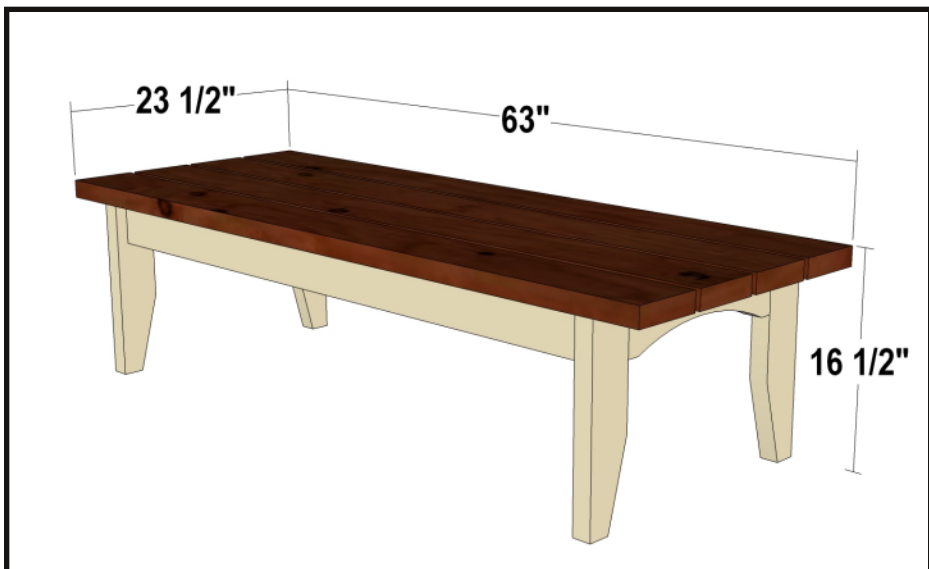




**CUTTING DIAGRAM**



Estimated lumber cost:  
starting at \$35



**PARTS**

- legs (4) - 1 1/2 x 3 1/2 x 15
- end rails (2) - 1 1/2 x 3 1/2 x 15 5/8
- stretchers (2) - 1 1/2 x 3 1/2 x 18 1/8
- side rails (2) - 1 1/2 x 3 1/2 x 52
- slats (4) - 1 1/2 x 5 1/2 x 63

All parts are listed in actual dimensions. Refer to the Cutting Diagram on the last page of this plan as a guide for determining the specific board from which to cut the parts.

**TAKE CARE!**

Follow **ALL SAFETY GUIDELINES AND RECOMMENDATIONS** provided by the manufacturers of your tools, and any chemicals such as glue and finishes you use in this project. **YOU** are responsible for your safety, so use common sense when working in the shop!