

CHIEF'S SHOP PLAN OF THE WEEK



CLUB CHAIR STOOL



WHAT YOU'LL NEED

LUMBER

- 1 - 5/4x6x8 decking
- 1 - 2x4x10
- 1 - 2x6x8

(availability will vary)

HARDWARE/SUPPLIES

- Kreg 2 1/2" pocket hole screws
- Kreg 1 1/2" pocket hole screws
- wood glue, wood filler, pocket hole plugs, choice of finish

TOOLS

- miter saw, jigsaw
- sander/belt sander
- drill/driver, with right-angle attachment
- Kreg Jig
- clamps
- square


ABOUT THESE PLANS


On this first page you will see above the project complete. On one of the last two pages you'll find the finished outer dimensions. Be sure to read ALL of the project steps before you start.


To the right is a list of the Lumber, Hardware/Supplies, and Tools you will need to complete this project. A measuring tape and pencil are not included because that should be pretty standard and self explanatory.

Below What You'll Need is the Parts list. This also is included on the Cutting Diagram page, which is the last page of this plan document. Also on the Cutting Diagram page is an estimate of the cost of the lumber. This estimate doesn't include any other supplies and does not factor in sales tax.

Throughout these plans you'll find the icons below:

 **LAYOUT** This indicates a diagram detailing the dimensions of a project part and/or the placement for pocket holes, screws, nails, etc.

 **NOTE** Notes are the instructions for a particular step/section of the project.

 **TAKE CARE!** This indicates when to pay close attention to the diagrams, take precautions for safety, etc.

MORE PLANS

Want more Chief's Shop plans? Visit chiefs-shop.com and look through the Plans section.

Be sure to "Like" Chief's Shop on facebook by heading over to [facebook.com/ChiefsShop](https://www.facebook.com/ChiefsShop).

NOTE

Apply exterior-rated glue to all mating parts.

PARTS

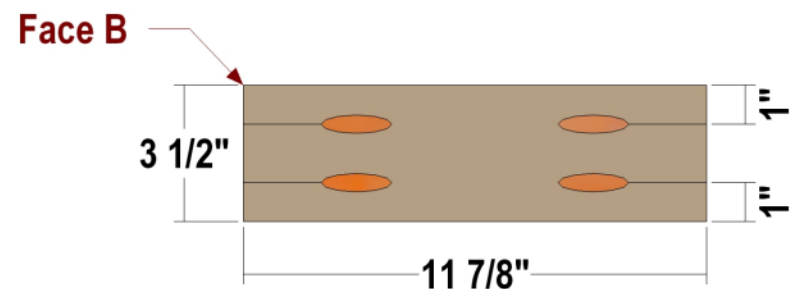
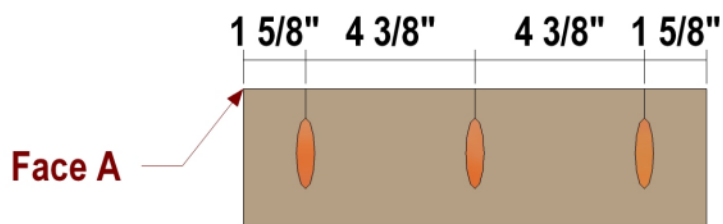
- end rails (2) - 1 1/2 x 3 1/2 x 11 7/8
- side rails (2) - 1 1/2 x 3 1/2 x 18
- legs (4) - 1 1/2 x 5 1/2 x 17 1/2
- lower rails (2) - 1 1/2 x 3 1/2 x 18
- stretcher (1) - 1 1/2 x 3 1/2 x 11 7/8
- slats (3) - 1 x 5 1/2 x 22 1/2

All parts are listed in actual dimensions. Refer to the Cutting Diagram on the last page of this plan as a guide for determining the specific board from which to cut the parts.

VIDEO

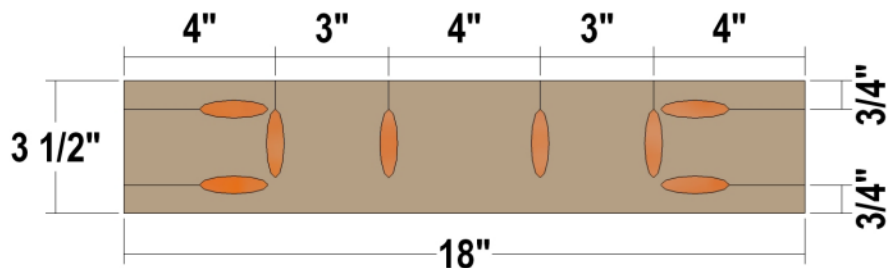
Check out Chief's Shop Videos on YouTube. ([click here](#))

End Rails



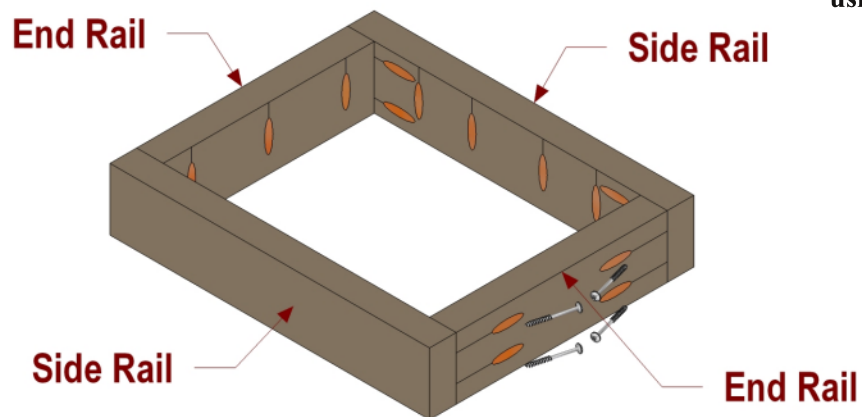
NOTE
Use the layouts for creating the End Rails and Side Rails. For each End Rail, drill the holes for Face A on one face (set your Kreg Jig for 1" stock), and the holes for Face B (set your jig for 1 1/2" stock) on the opposing face. Set your Kreg Jig and drill bit for 1 1/2" stock for the pocket holes on the ends of the Side Rails, and 1" stock for the pocket holes positioned toward the edges of the Side Rails.

Side Rail

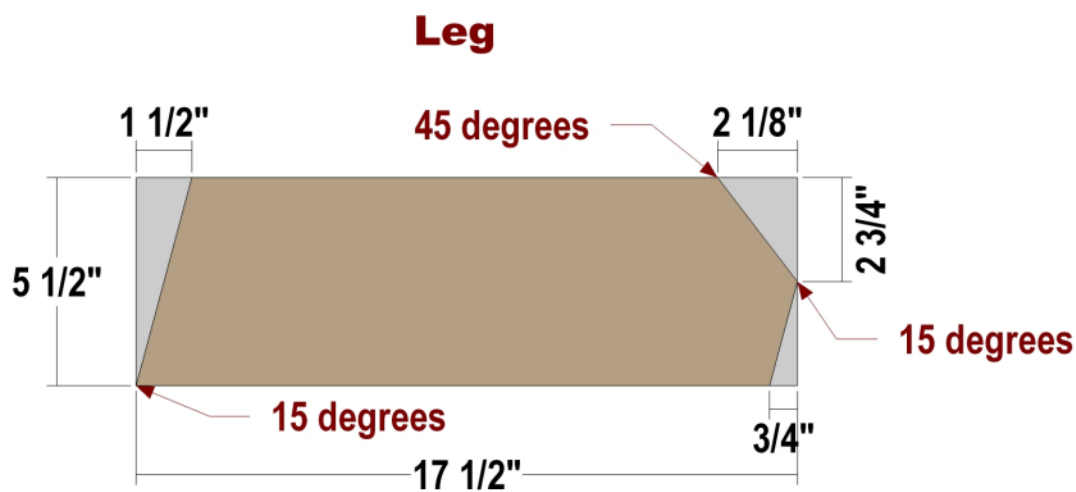


NOTE

Position the parts as shown, and attach using 2 1/2" pocket hole screws.

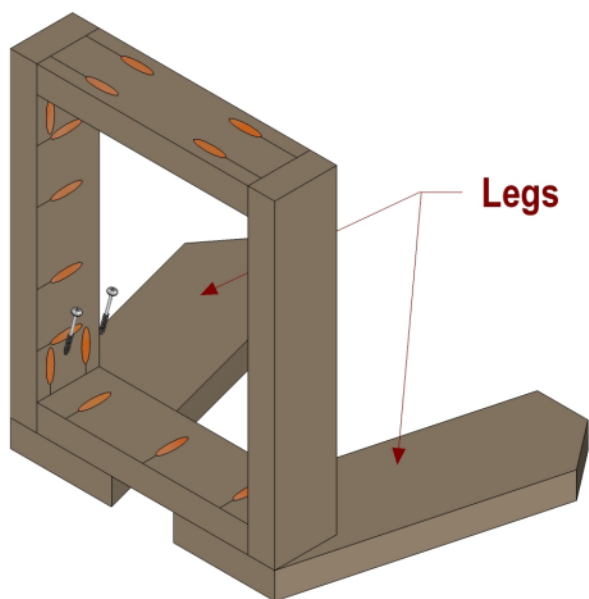


LAYOUT

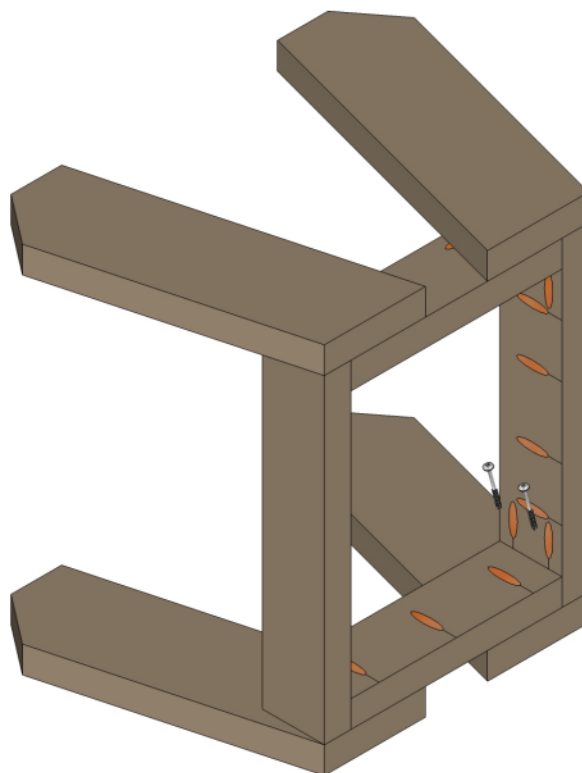


NOTE

Use the layout for creating the Legs.



Position the parts as shown, and attach using 2 1/2" deck screws.



Lower Rail

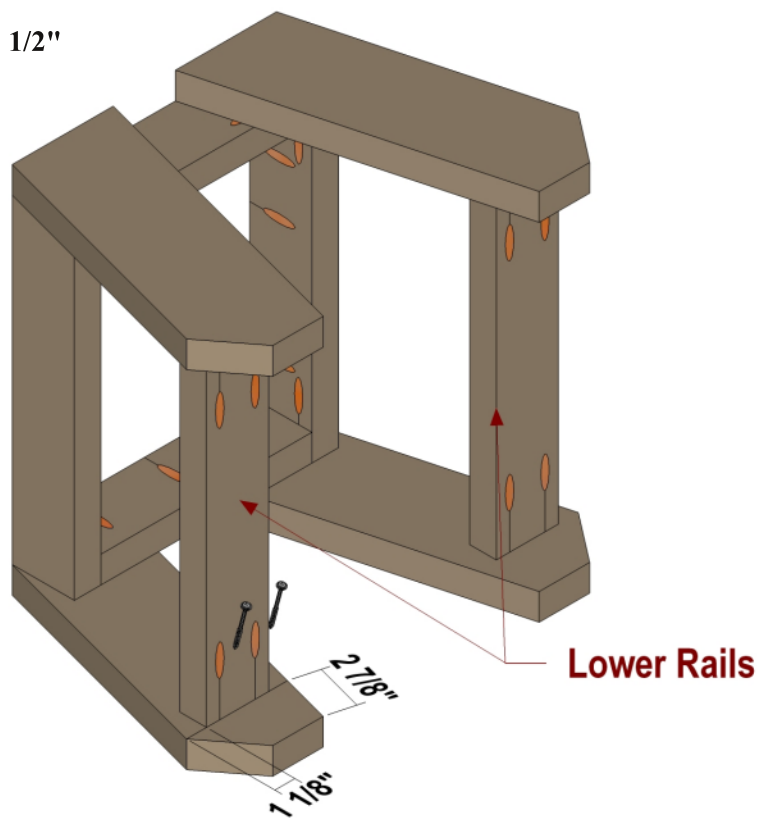


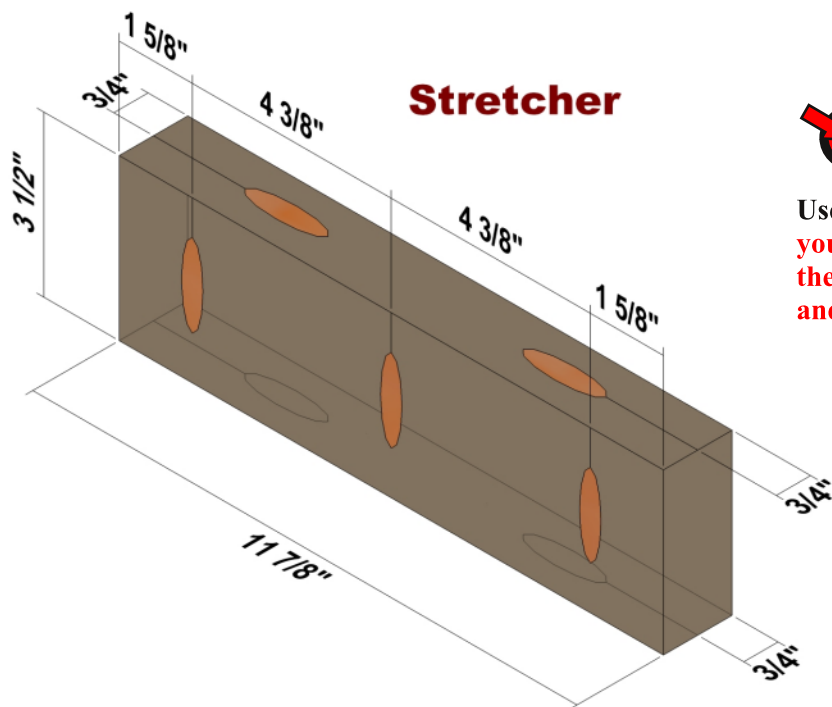
NOTE

Use the layout for creating the Lower Rail. Set your Kreg Jig and drill bit for 1 1/2" stock for the pocket holes.

NOTE

Position the parts as shown, and attach using 2 1/2" pocket hole screws.



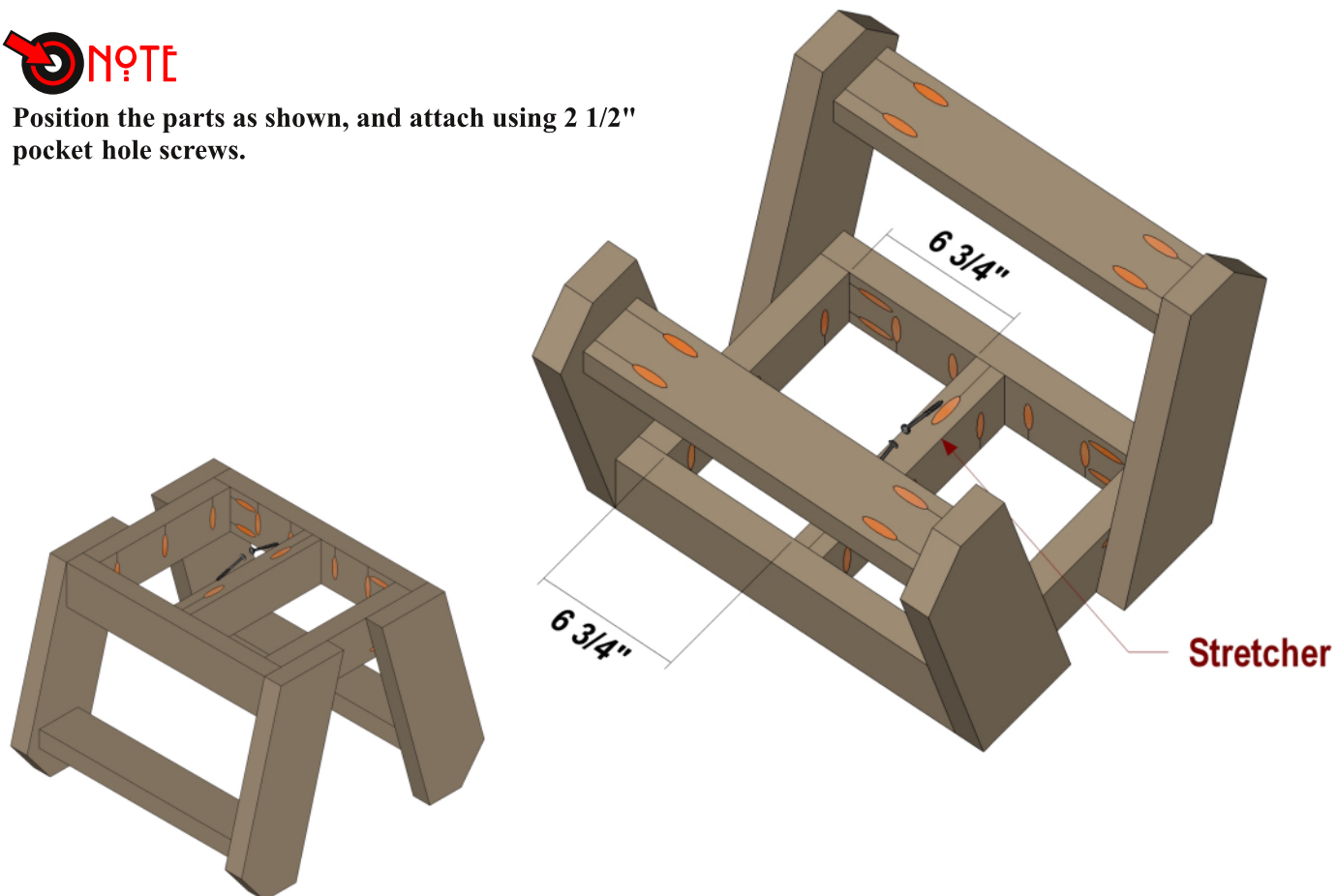


 NOTE

Use the layout for creating the Stretcher. Set your Kreg Jig and drill bit for 1 1/2" stock for the pocket holes on the top and bottom edges, and 1" stock for the remaining pocket holes.

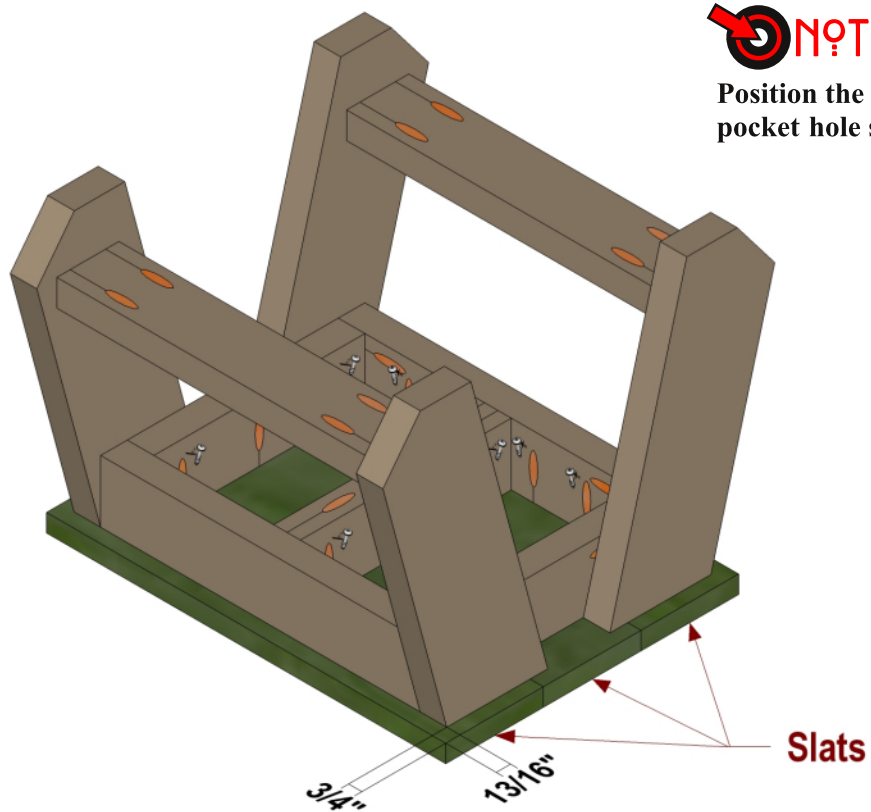
 NOTE

Position the parts as shown, and attach using 2 1/2" pocket hole screws.



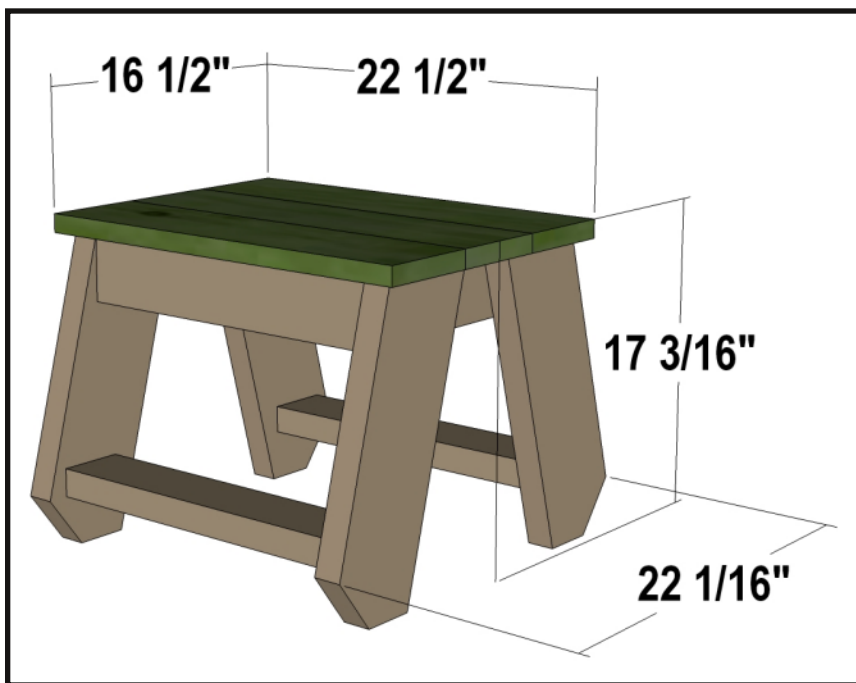


Position the parts as shown, and attach using 1 1/2" pocket hole screws.





CUTTING DIAGRAM



Estimated lumber cost:
starting at \$15 for one

✚ PARTS ✚

- end rails (2)** - 1 1/2 x 3 1/2 x 11 7/8
- side rails (2)** - 1 1/2 x 3 1/2 x 18
- legs (4)** - 1 1/2 x 5 1/2 x 17 1/2
- lower rails (2)** - 1 1/2 x 3 1/2 x 18
- stretcher (1)** - 1 1/2 x 3 1/2 x 11 7/8
- slats (3)** - 1 x 5 1/2 x 22 1/2

All parts are listed in actual dimensions. Refer to the Cutting Diagram on the last page of this plan as a guide for determining the specific board from which to cut the parts.

✚ TAKE CARE!

Follow **ALL SAFETY GUIDELINES AND RECOMMENDATIONS** provided by the manufacturers of your tools, and any chemicals such as glue and finishes you use in this project. **YOU** are responsible for your safety, so use common sense when working in the shop!