


# CHIEF'S SHOP PLAN OF THE WEEK



## BEACH RESORT CHAIR SIDE TABLE



**WHAT YOU'LL NEED** 

**LUMBER**  
 1 - 1x2x8  
 1 - 1x4x8  
 1 - 1x6x8  
 1 - 2x4x8  
*(availability will vary)*

**HARDWARE/SUPPLIES**  
 Kreg 1 1/4" pocket hole screws  
 wood glue, wood filler,  
 pocket hole plugs, choice of finish

**TOOLS**  
 miter saw, jigsaw  
 sander/belt sander  
 drill/driver  
 Kreg Jig  
 clamps  
 square


### ABOUT THESE PLANS


On this first page you will see above the project complete. On one of the last two pages you'll find the finished outer dimensions. Be sure to read ALL of the project steps before you start.


To the right is a list of the Lumber, Hardware/Supplies, and Tools you will need to complete this project. A measuring tape and pencil are not included because that should be pretty standard and self explanatory.

Below What You'll Need is the Parts list. This also is included on the Cutting Diagram page, which is the last page of this plan document. Also on the Cutting Diagram page is an estimate of the cost of the lumber. This estimate doesn't include any other supplies and does not factor in sales tax.

Throughout these plans you'll find the icons below:


 **LAYOUT** This indicates a diagram detailing the dimensions of a project part and/or the placement for pocket holes, screws, nails, etc.

 **NOTE** Notes are the instructions for a particular step/section of the project.

 **TAKE CARE!** This indicates when to pay close attention to the diagrams, take precautions for safety, etc.

 **MORE PLANS**  
 Want more Chief's Shop plans? Visit [chiefs-shop.com](http://chiefs-shop.com) and look through the Plans section.  
 Be sure to "Like" Chief's Shop on facebook by heading over to [facebook.com/ChiefsShop](https://facebook.com/ChiefsShop).

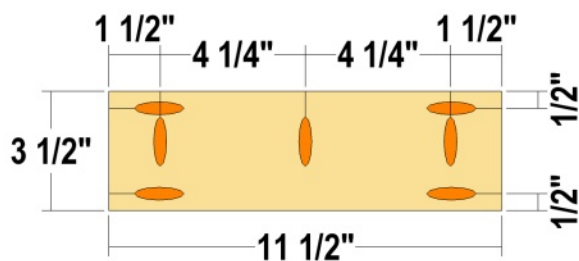
 **VIDEO?** Check out Chief's Shop Videos on YouTube. ([click here](#))

 **PARTS**

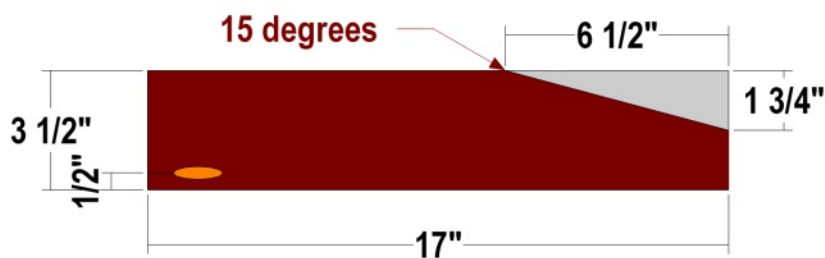
**top end rails (2)** - 3+4 x 3 1/2 x 11 1/2  
**legs (4)** - 1 1/2 x 3 1/2 x 17  
**top side rails (2)** - 3/4 x 3 1/2 x 14 1/2  
**bottom side rails (2)** - 3/4 x 1 1/2 x 11  
**bottom end rails (2)** - 3/4 x 1 1/2 x 11 1/2  
**stretcher** - 3/4 x 3 1/2 x 10  
**top slat (1)** - 3/4 x 5 1/2 x 20  
**outer top slats (2)** - 3/4 x 5 1/2 x 20  
**shelf slats (2)** - 3/4 x 5 1/2 x 14 1/2

All parts are listed in actual dimensions. Refer to the Cutting Diagram on the last page of this plan as a guide for determining the specific board from which to cut the parts.

## Top End Rail

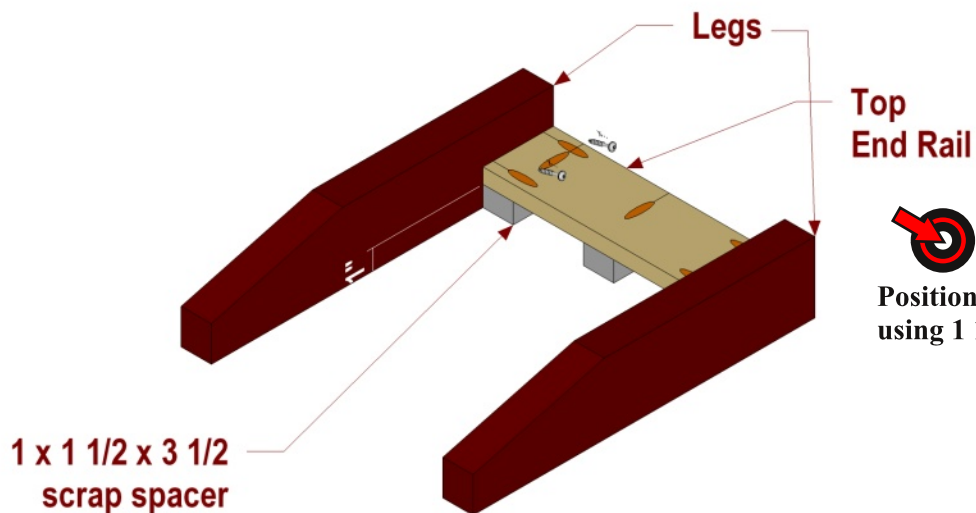


## Legs



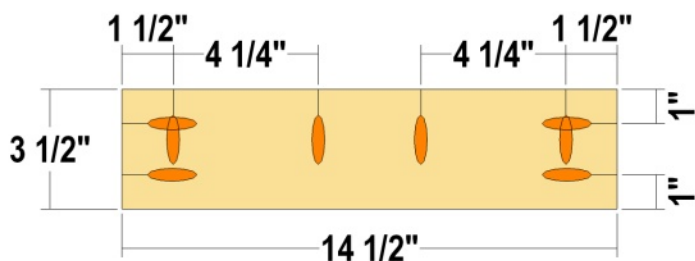
## NOTE

Use the layouts for creating the Top End Rails and Legs.  
 Set your Kreg Jig and drill bit for 3/4" stock for the pocket holes. Create two of each layout of the Legs.

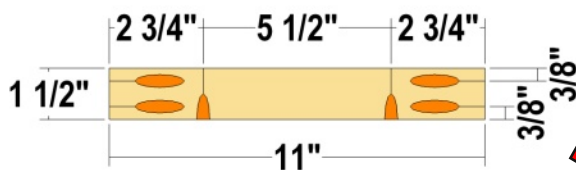


**NOTE**  
Position the parts as shown and attach using 1 1/4" pocket hole screws.

## Top Side Rail



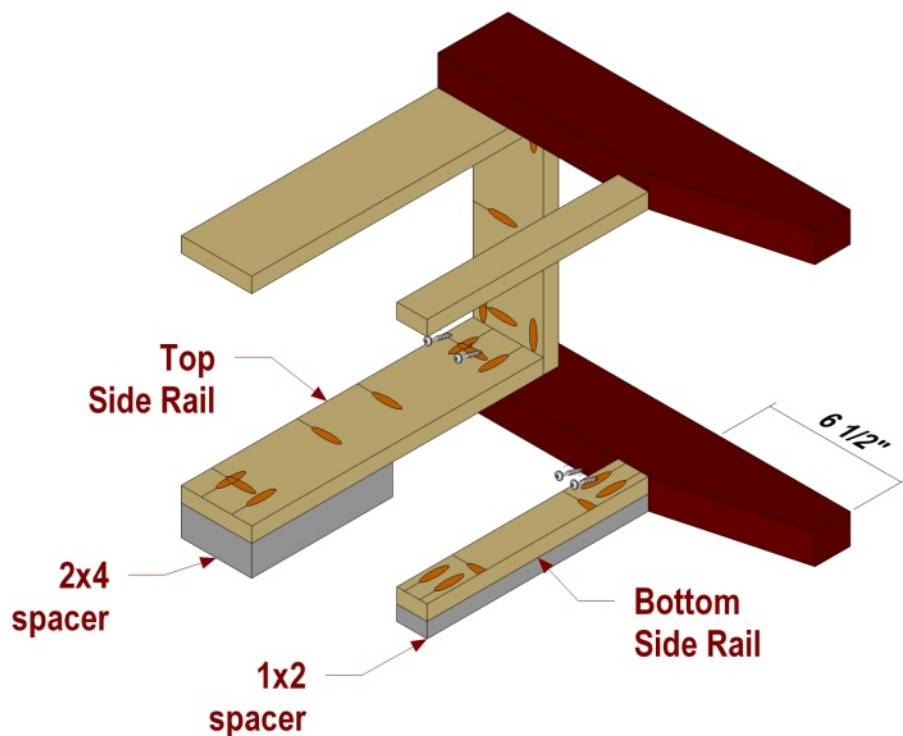
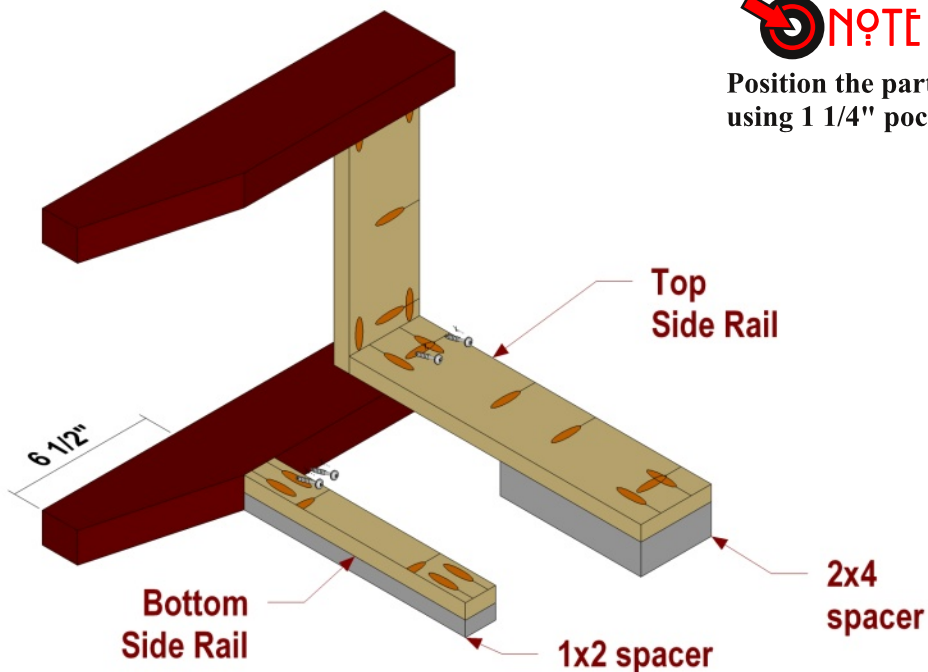
## Bottom Side Rail



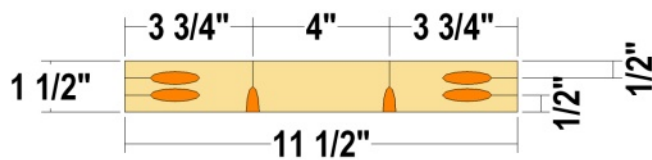
**NOTE**  
Use the layouts for creating the Top Side Rails and Bottom Side Rails. Set your Kreg Jig and drill bit for 3/4" stock for the pocket holes.



Position the parts as shown and attach using 1 1/4" pocket hole screws.

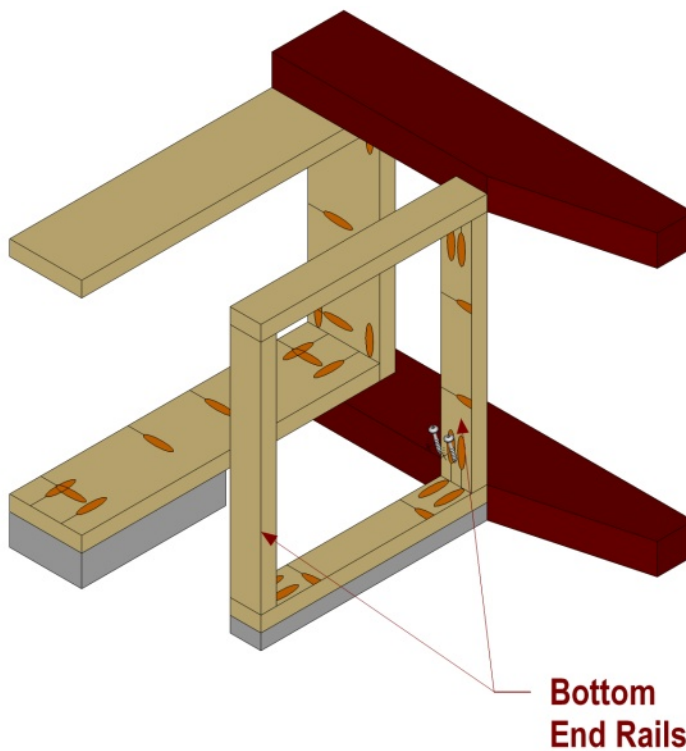


**Bottom End Rail**



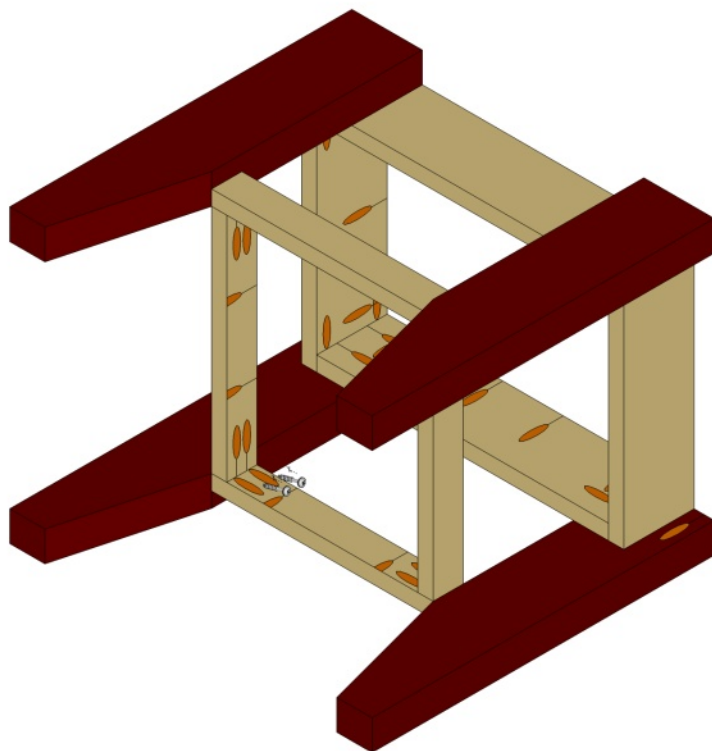
**NOTE**

Use the layout for creating the Bottom End Rails. Set your Kreg Jig and drill bit for 3/4" stock for the pocket holes.



**NOTE**

Position the parts as shown and attach using 1 1/4" pocket hole screws.

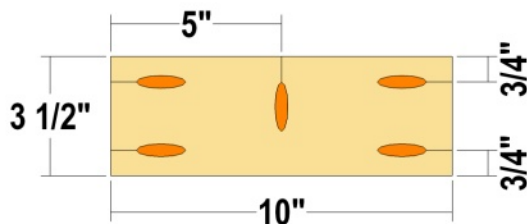


**NOTE**

Attach the assembly to the remaining end assembly.

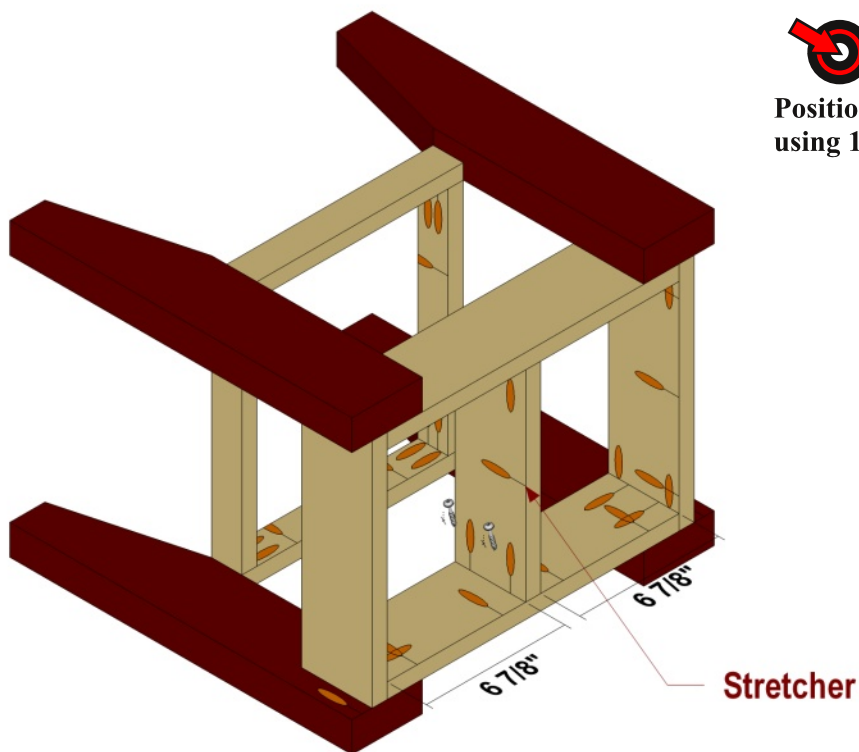
**Stretcher**

**LAYOUT**



**NOTE**

Use the layout for creating the Stretcher. Set your Kreg Jig and drill bit for 3/4" stock for the pocket holes.

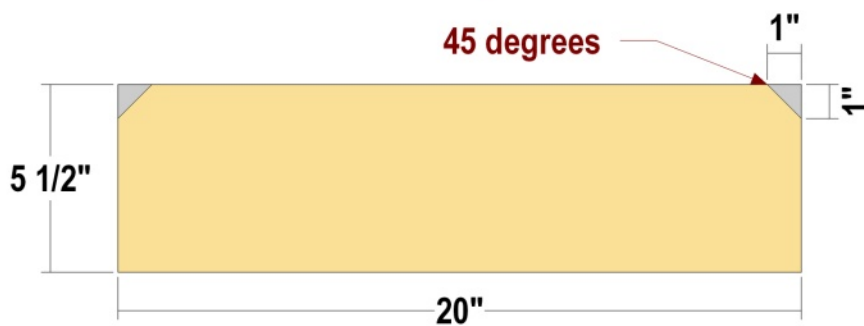


## NOTE

Position the Stretcher as shown and attach using 1 1/4" pocket hole screws.

## Outer Top Slat

## LAYOUT

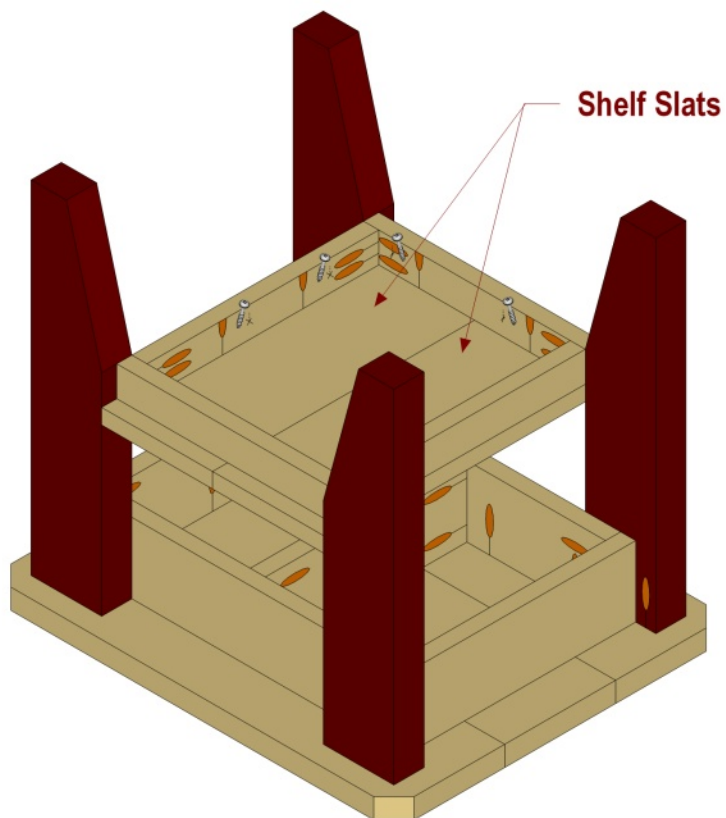
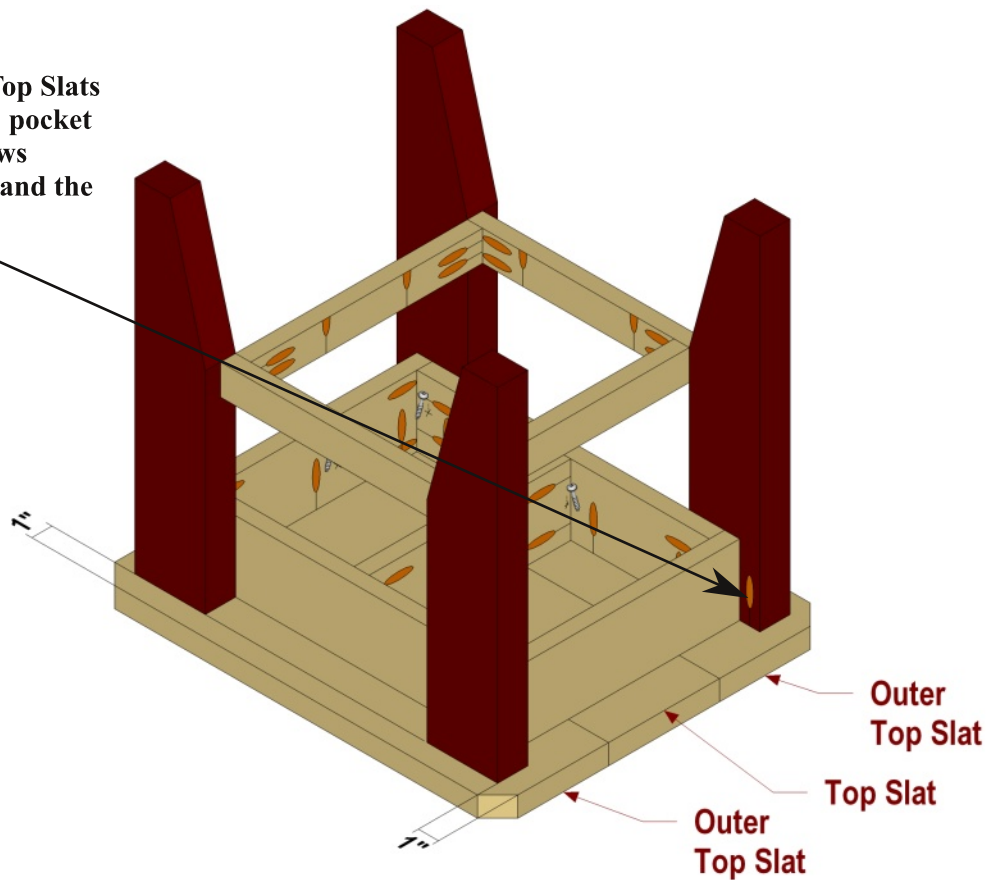


## NOTE

Use the layout to create the Outer Top Slats.

**NOTE**

Position the Top Slat and Outer Top Slats as shown, and attach using 1 1/4" pocket hole screws. Be sure to drive screws through the Top Rails, Stretcher, and the one pocket hole on the Legs.

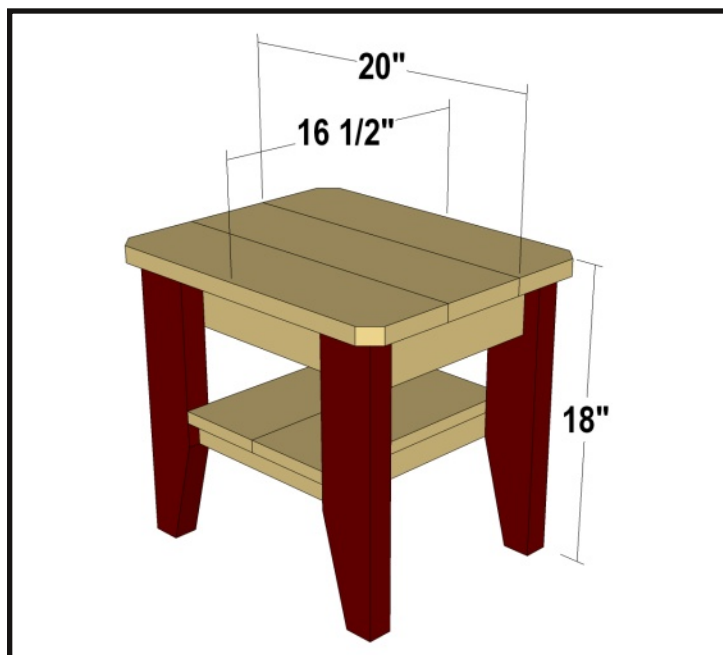
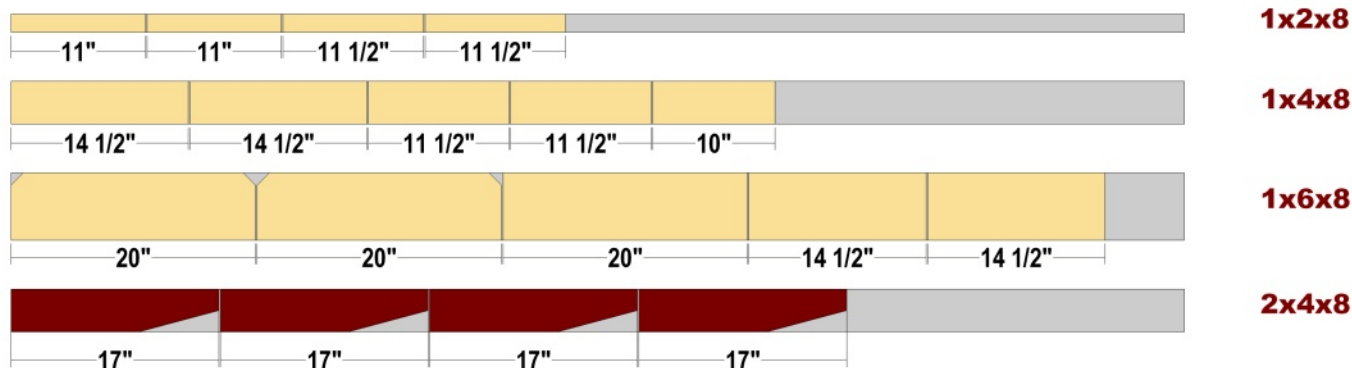


**NOTE**

Position the Shelf Slats as shown, and attach using 1 1/4" pocket hole screws.



 **CUTTING DIAGRAM**



Estimated lumber cost:  
starting at \$15 for one

**✚ PARTS ✚**

- top end rails (2) - 3/4 x 3 1/2 x 11 1/2
- legs (4) - 1 1/2 x 3 1/2 x 17
- top side rails (2) - 3/4 x 3 1/2 x 14 1/2
- bottom side rails (2) - 3/4 x 1 1/2 x 11
- bottom end rails (2) - 3/4 x 1 1/2 x 11 1/2
- stretcher - 3/4 x 3 1/2 x 10
- top slat (1) - 3/4 x 5 1/2 x 20
- outer top slats (2) - 3/4 x 5 1/2 x 20
- shelf slats (2) - 3/4 x 5 1/2 x 14 1/2

All parts are listed in actual dimensions. Refer to the Cutting Diagram on the last page of this plan as a guide for determining the specific board from which to cut the parts.

**✚ TAKE CARE!**

Follow ALL SAFETY GUIDELINES AND RECOMMENDATIONS provided by the manufacturers of your tools, and any chemicals such as glue and finishes you use in this project. YOU are responsible for your safety, so use common sense when working in the shop!