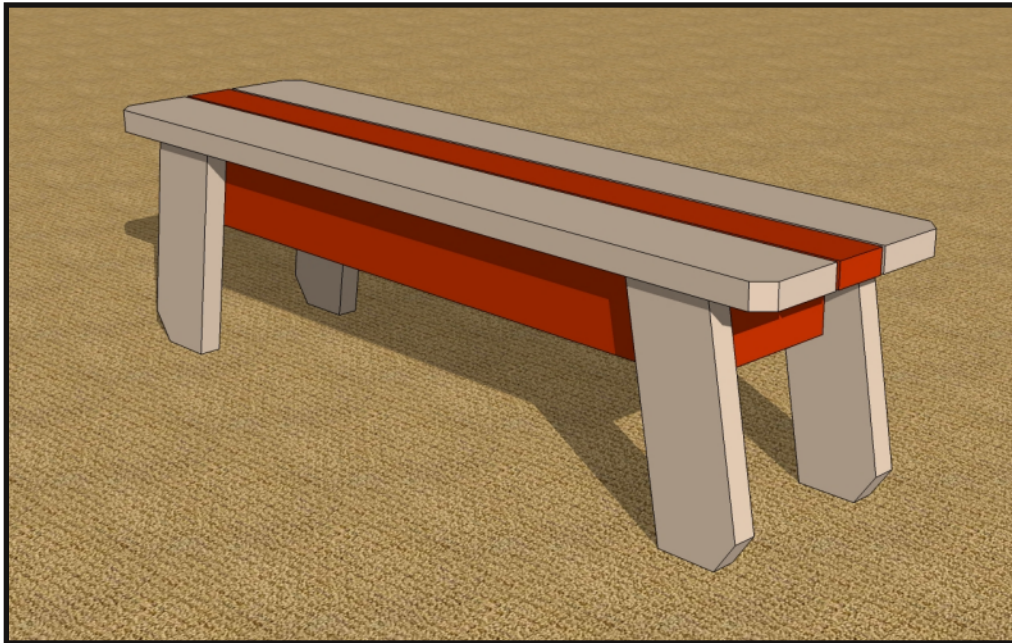


CHIEF'S SHOP PLAN OF THE WEEK



UTILITY BENCH



WHAT YOU'LL NEED

LUMBER

1- 2 x 4 x 8
4 - 2 x 6 x 8
(availability will vary)

HARDWARE/SUPPLIES

Kreg 2 1/2" pocket hole screws
wood glue
paint/stain/
sealer/polyurethane

TOOLS

miter saw
sander/belt sander
drill/driver
Kreg Jig
clamps
square

ABOUT THESE PLANS

On this first page you will see above the project complete. On the [last page](#) you'll find the finished outer dimensions. Be sure to read ALL of the project steps before you start.

To the right is a list of the Lumber, Hardware/Supplies, and Tools you will need to complete this project. A measuring tape and pencil are not included because that should be pretty standard and self explanatory.

Below What You'll Need is the Parts list. This also is included on the [Cutting Diagram](#) page, which is the next to last page of this plan document. Also on the [Cutting Diagram](#) page is an estimate of the cost of the lumber. This estimate doesn't include any other supplies and does not factor in sales tax.

Throughout these plans you'll find the icons below:



LAYOUT This indicates a diagram detailing the dimensions of a project part and/or the placement for pocket holes, screws, nails, etc.



NOTE Notes are the instructions for a particular step/section of the project.



TAKE CARE! This indicates when to pay close attention to the diagrams, take precautions for safety, etc.



MORE PLANS

Want more Chief's Shop plans? Visit chiefs-shop.com and look through the Plans section.

Be sure to "Like" Chief's Shop on facebook by heading over to [facebook.com/ChiefsShop](https://www.facebook.com/ChiefsShop).

PARTS

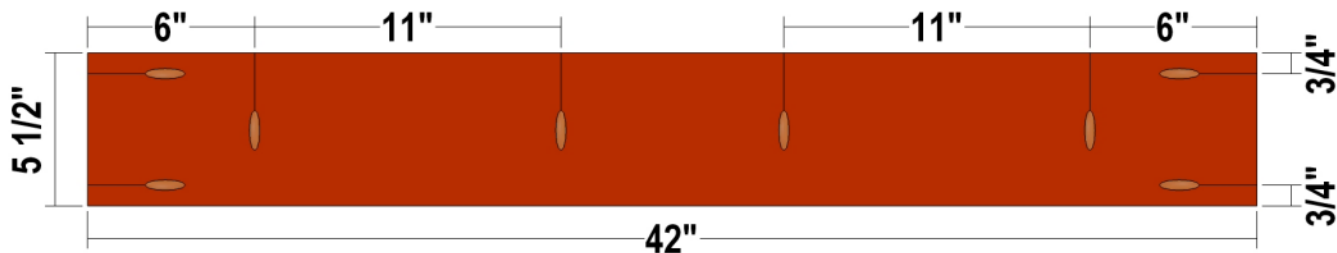
Side Rails (2) - 1 1/2 x 5 1/2 x 42
Stretcher (1) - 1 1/2 x 5 1/2 x 7 1/2
End Rails (2) - 1 1/2 x 5 1/2 x 10 1/2
Legs (4) - 1 1/2 x 5 1/2 x 15 11/16
Wide Seat Slats (2) - 1 1/2 x 5 1/2 x 57
Narrow Seat Slat (1) - 1 1/2 x 5 1/2 x 57

All parts are listed in actual dimensions. Refer to the Cutting Diagram on the last page of this plan as a guide for determining the specific board from which to cut the parts.

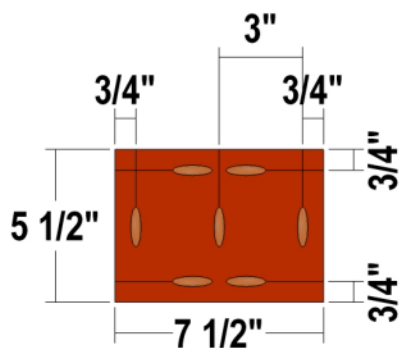
VIDEO?

Check out Chief's Shop Videos on YouTube. ([click here](#))

Side Rail



Stretcher

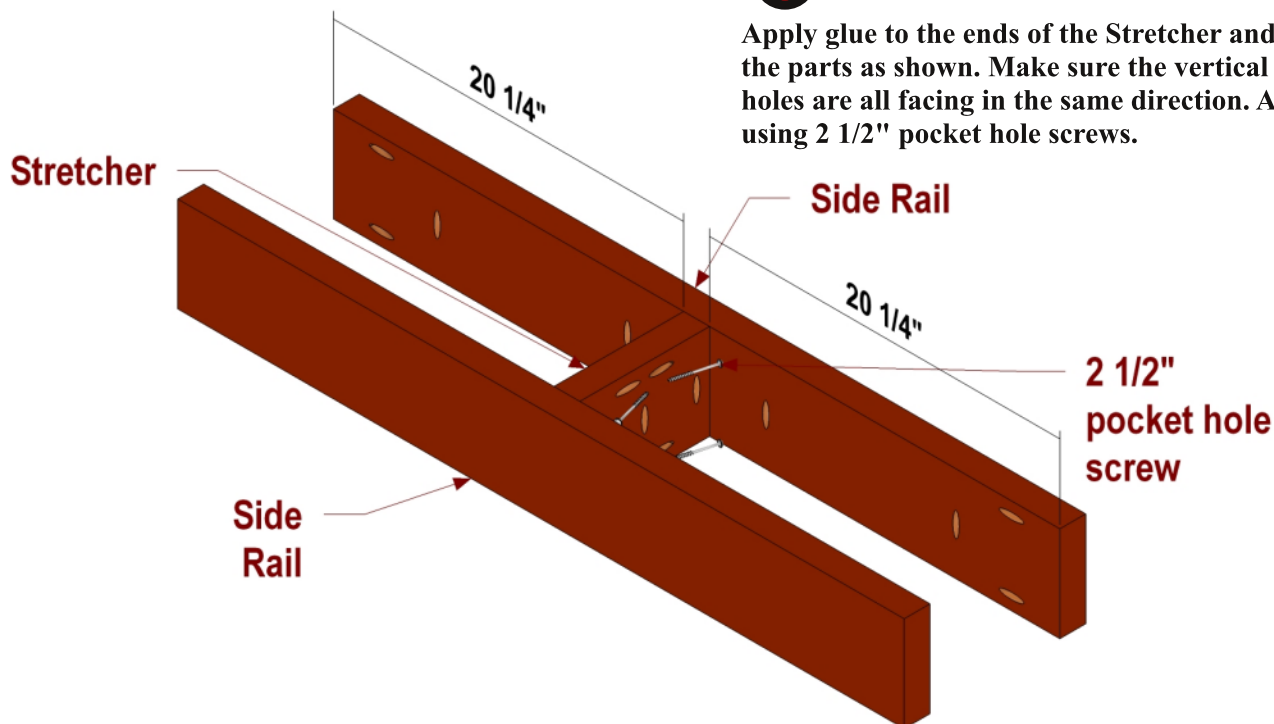


 NOTE

Use the layouts for creating the Side Rails and Stretcher. Set your Kreg Jig and drill bit for 1 1/2" stock.

 NOTE

Apply glue to the ends of the Stretcher and position the parts as shown. Make sure the vertical pocket holes are all facing in the same direction. Attach using 2 1/2" pocket hole screws.

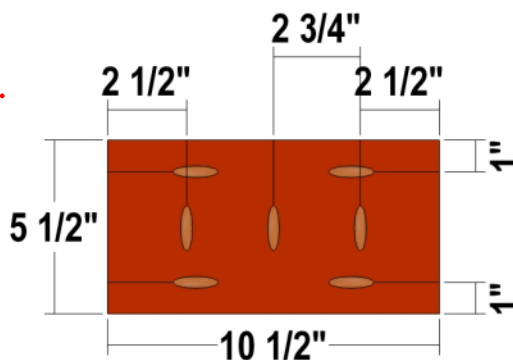


NOTE

Use the layouts for creating the End Rails.
Set your Kreg Jig and drill bit for 1 1/2" stock.

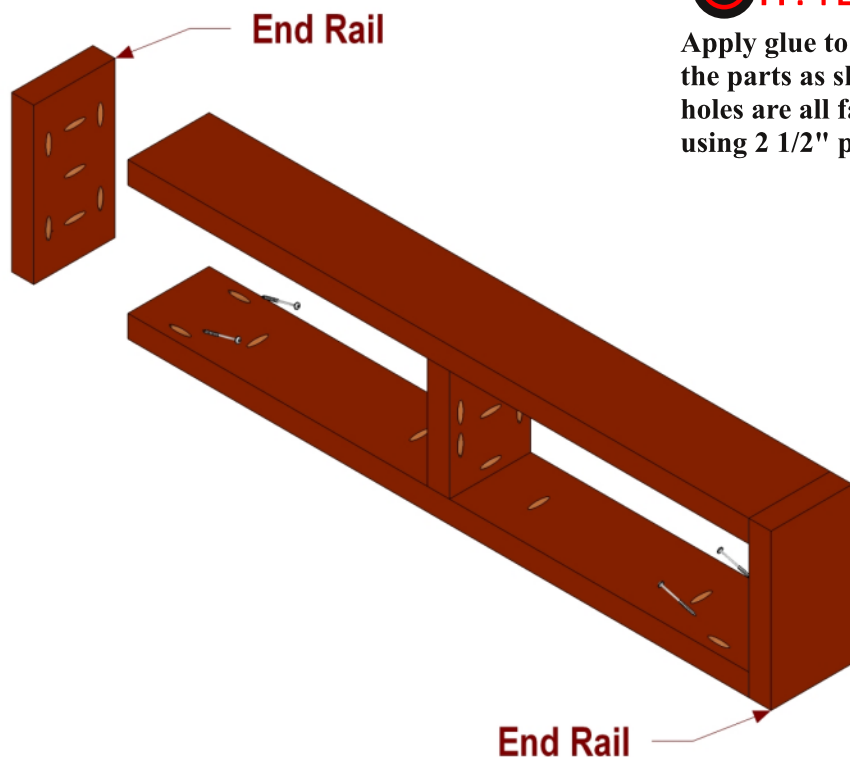
End Rail

LAYOUT



NOTE

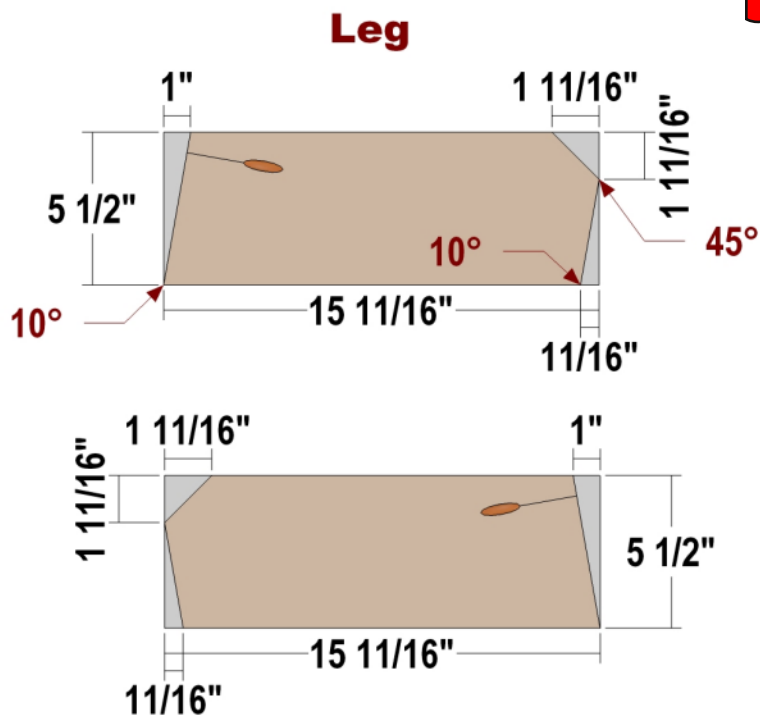
Apply glue to the ends of the Side Rails and position the parts as shown. Make sure the vertical pocket holes are all facing in the same direction. Attach using 2 1/2" pocket hole screws.



NOTE

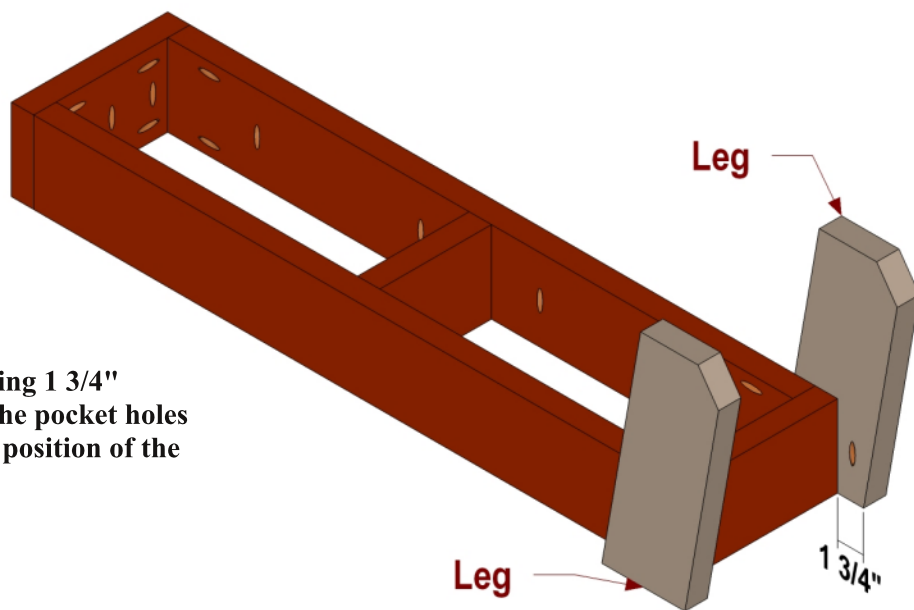
Use the layouts for creating the Legs. Set your Kreg Jig and drill bit for 1 1/2" stock.

LAYOUT



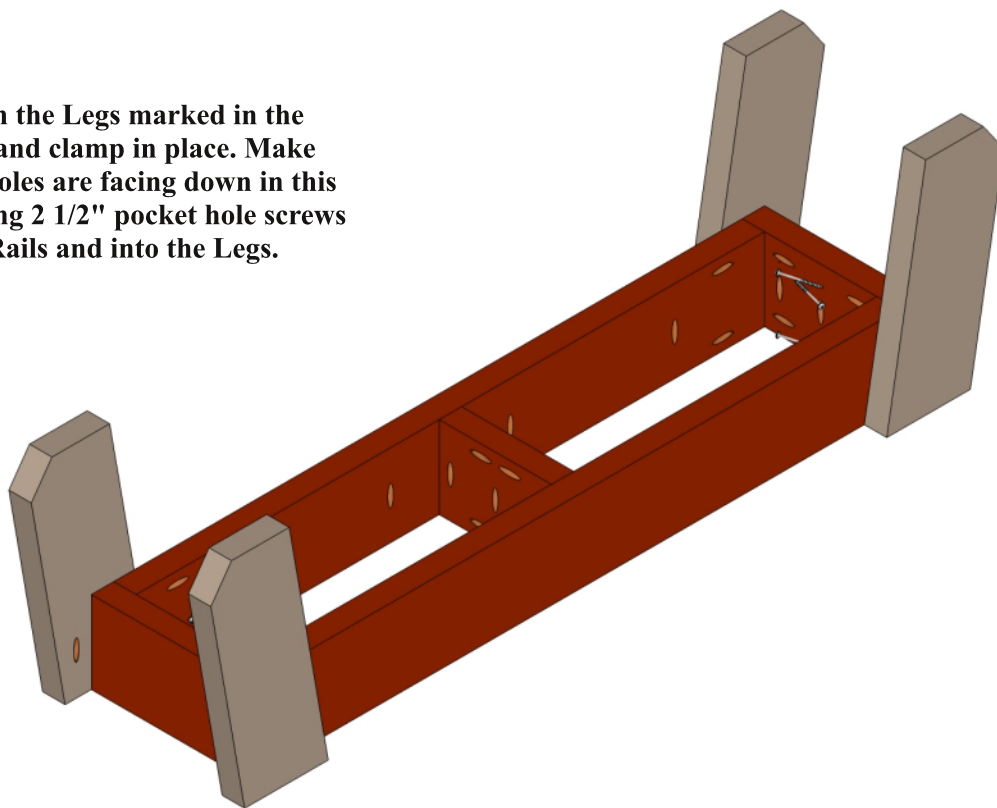
NOTE

Position the Legs as shown, extending 1 3/4" beyond the End Rails. Make sure the pocket holes are positioned as shown. Mark the position of the assembly on the Legs.

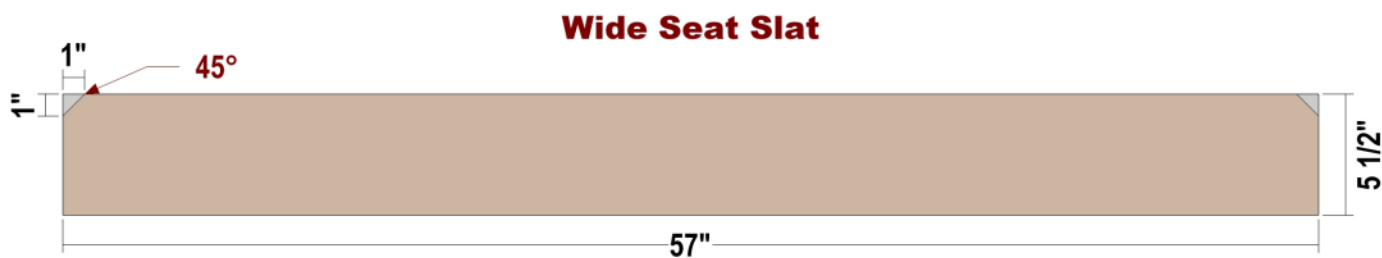


NOTE

Apply glue to the areas on the Legs marked in the previous step, reposition and clamp in place. Make sure the vertical pocket holes are facing down in this configuration. Attach using 2 1/2" pocket hole screws driven through the End Rails and into the Legs.



LAYOUT

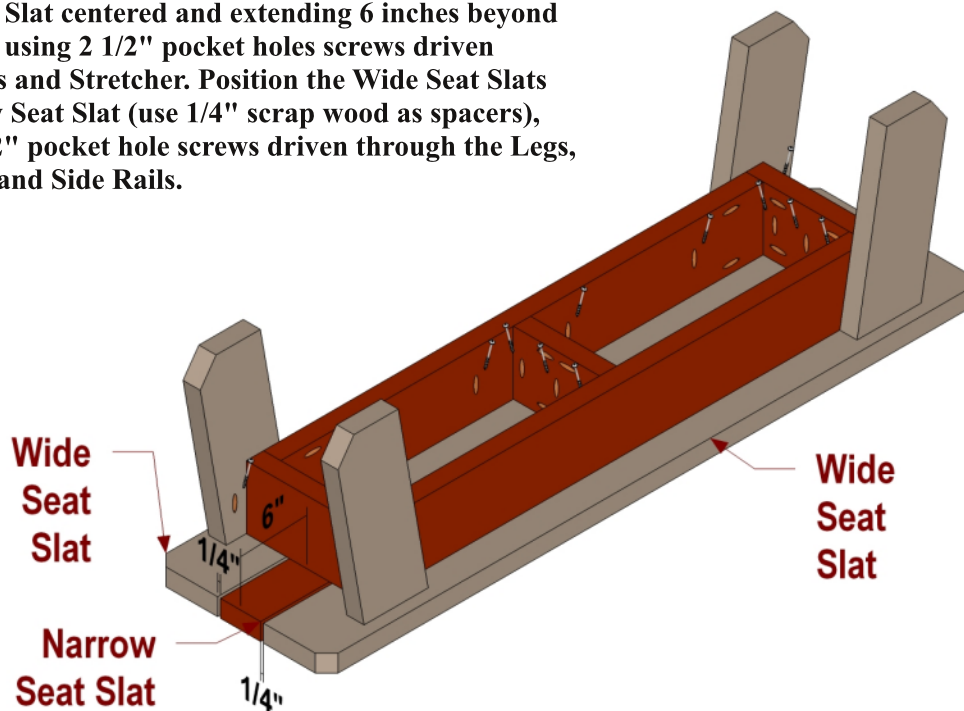


NOTE

Use the layouts for creating the two Wide Seat Slats.

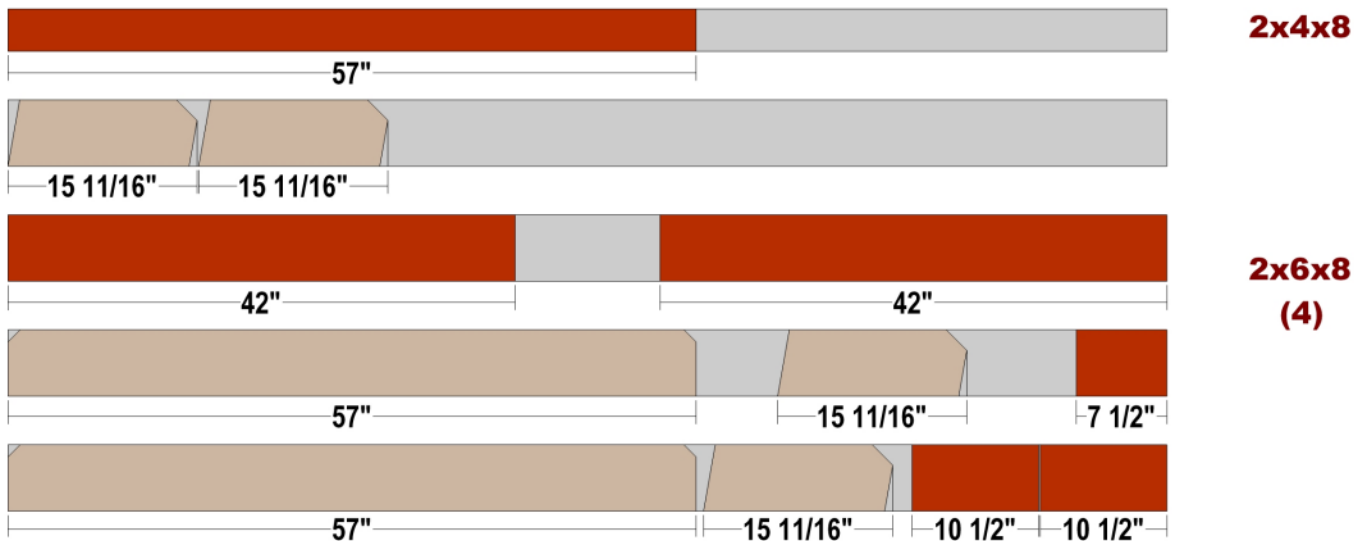
NOTE

Position the Wide Seat Slats and Narrow Seat Slat as shown. Start with the Narrow Seat Slat centered and extending 6 inches beyond the End Rails. Attach using 2 1/2" pocket hole screws driven through the End Rails and Stretcher. Position the Wide Seat Slats 1/4" from the Narrow Seat Slat (use 1/4" scrap wood as spacers), and attach using 2 1/2" pocket hole screws driven through the Legs, End Rails, Stretcher, and Side Rails.





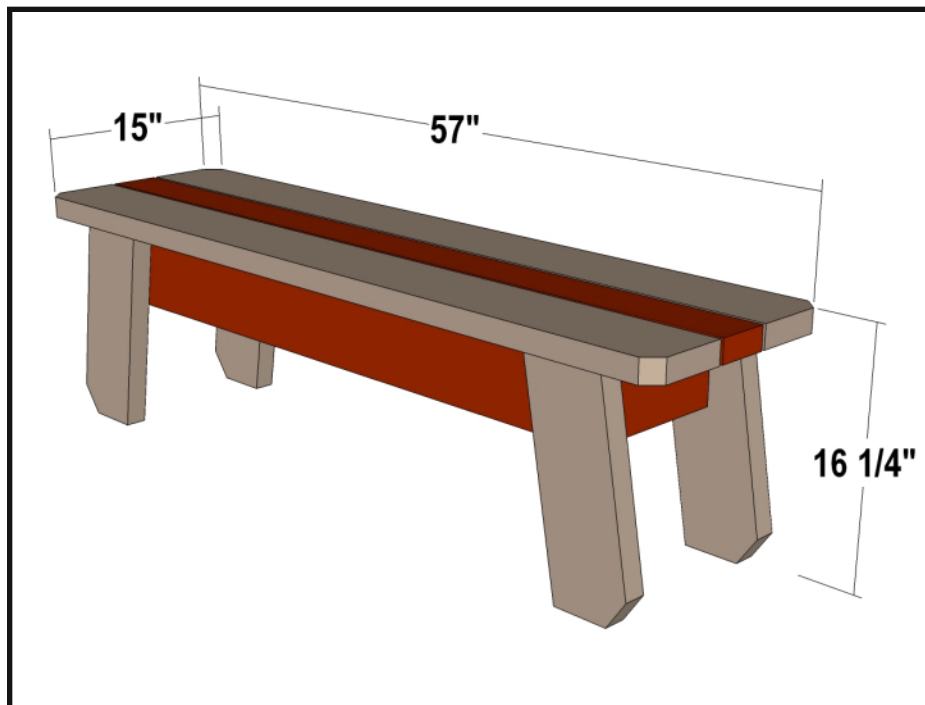
CUTTING DIAGRAM



✚ PARTS ✚

- Side Rails (2) - 1 1/2 x 5 1/2 x 42
- Stretcher (1) - 1 1/2 x 5 1/2 x 7 1/2
- End Rails (2) - 1 1/2 x 5 1/2 x 10 1/2
- Legs (4) - 1 1/2 x 5 1/2 x 15 11/16
- Wide Seat Slats (2) - 1 1/2 x 5 1/2 x 57
- Narrow Seat Slat (1) - 1 1/2 x 5 1/2 x 57

All parts are listed in actual dimensions. Refer to the Cutting Diagram on the last page of this plan as a guide for determining the specific board from which to cut the parts.



✚ TAKE CARE!

Follow ALL SAFETY GUIDELINES AND RECOMMENDATIONS provided by the manufacturers of your tools, and any chemicals such as glue and finishes you use in this project. YOU are responsible for your safety, so use common sense when working in the shop!