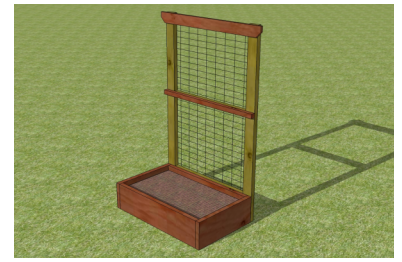
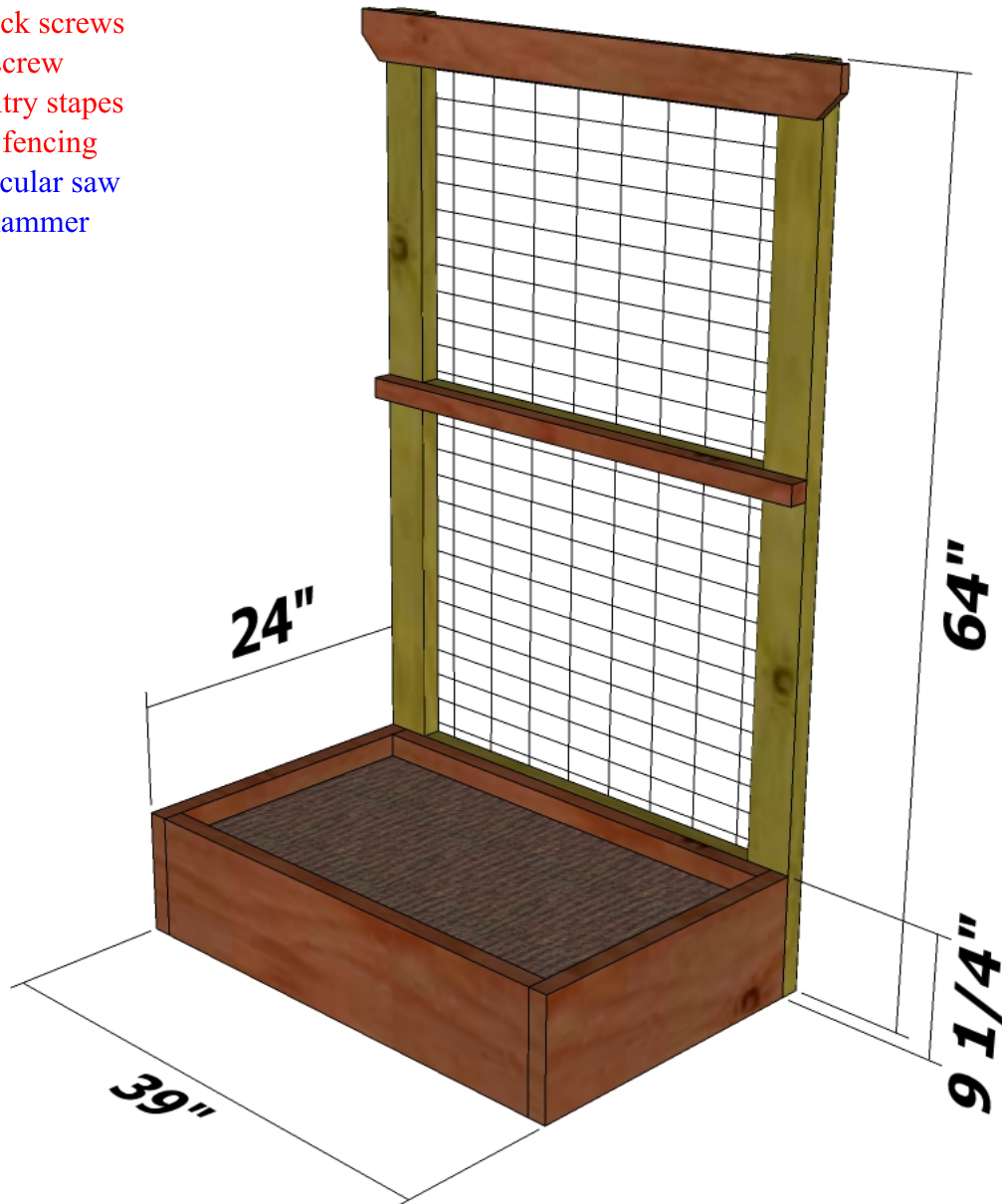




QUICK PROJECT: PLANTER WITH TRELLIS



- 2x10, 2x4, 2x2, 1x4
- 3-inch deck screws
- 2 1/2-inch deck screws
- 2-inch deck screw
- 3/4-inch poultry staples
- 48-inch wire fencing
- miter saw/circular saw
- drill/driver, hammer

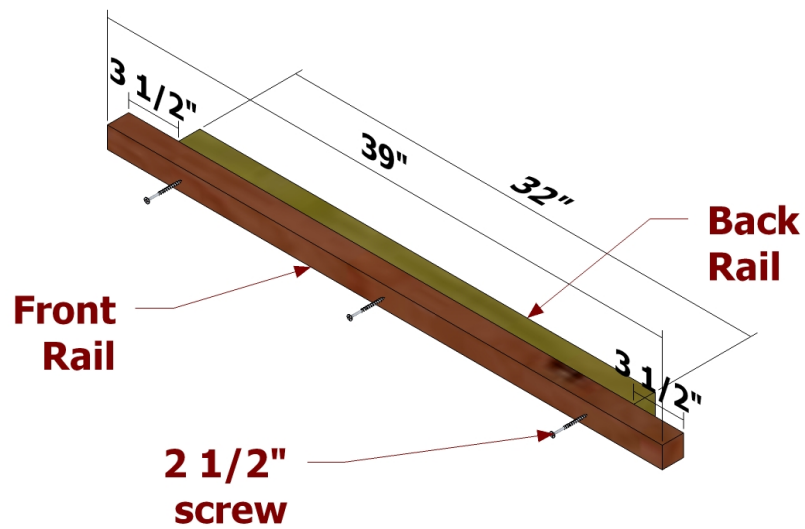
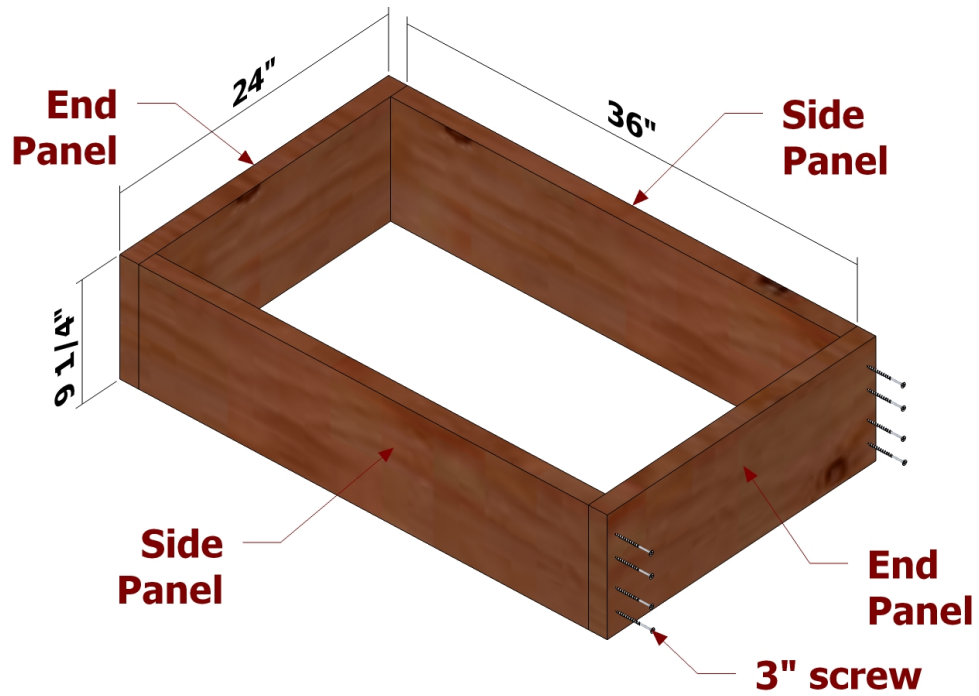
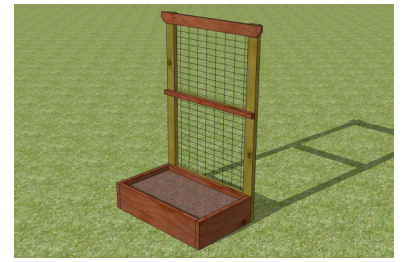


MORE PLANS

Want more Chief's Shop plans? Visit chiefs-shop.com and look through the Plans section. Be sure to "Like" Chief's Shop on facebook by heading over to facebook.com/ChiefsShop.

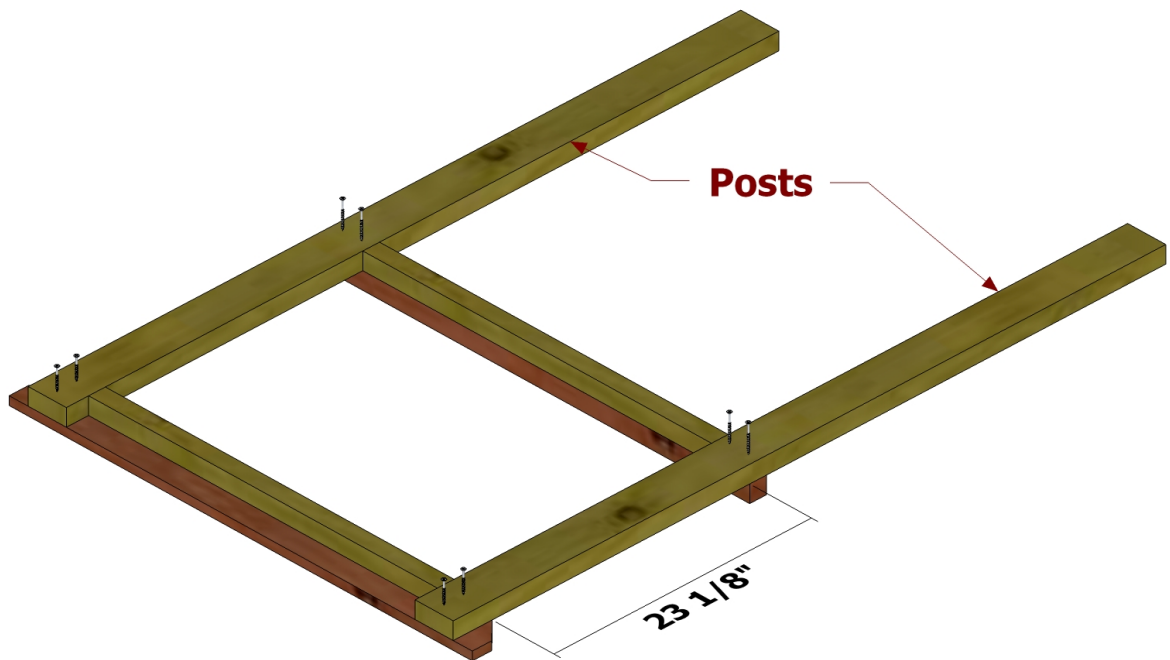
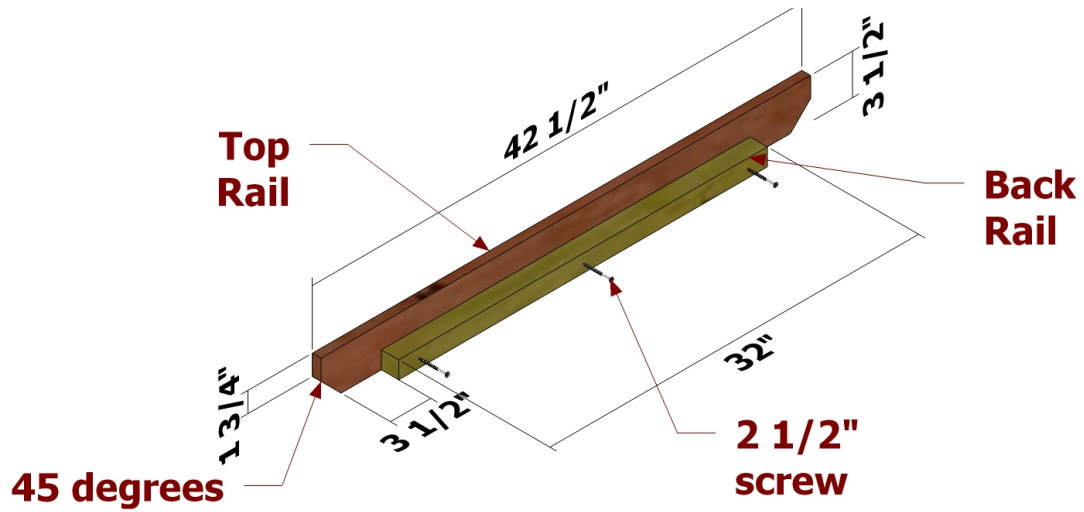
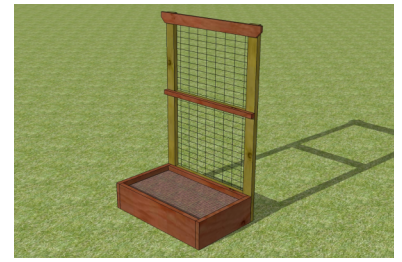


QUICK PROJECT: PLANTER WITH TRELLIS



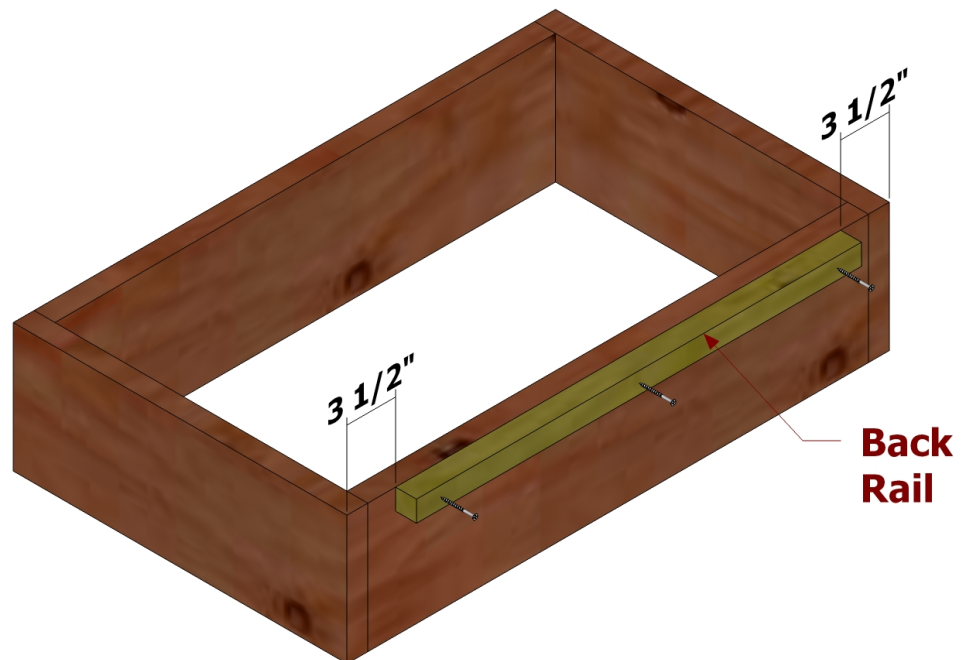
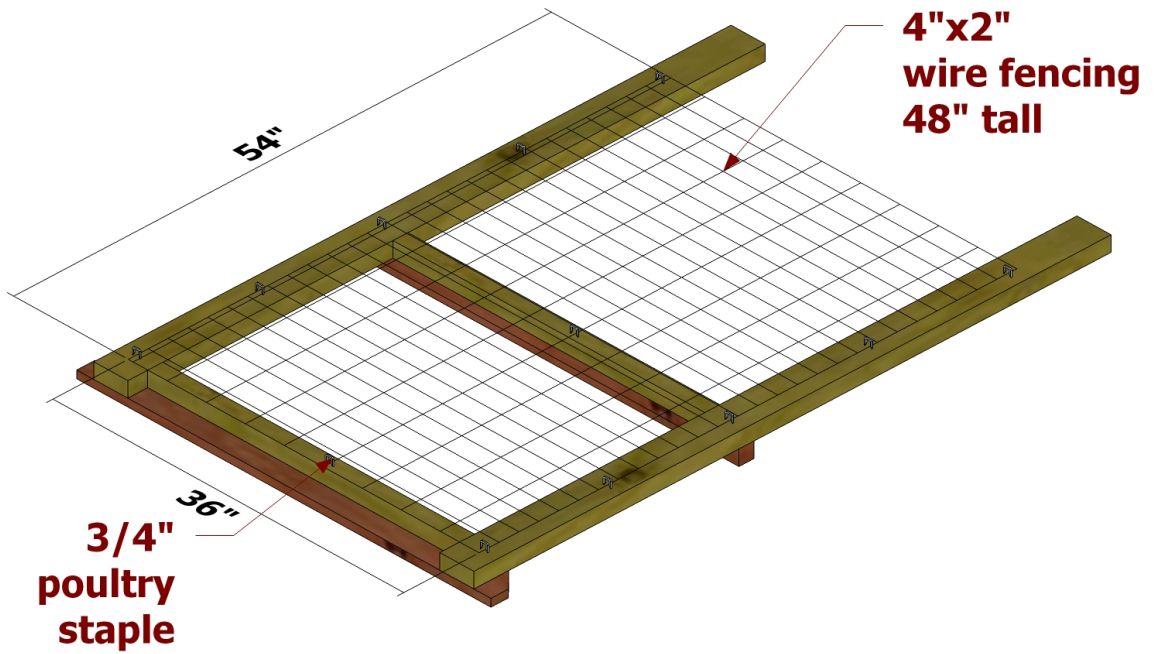
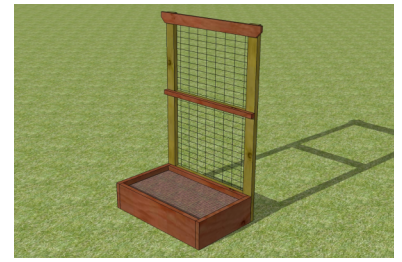


QUICK PROJECT: PLANTER WITH TRELLIS





QUICK PROJECT: PLANTER WITH TRELLIS





QUICK PROJECT: PLANTER WITH TRELLIS

