

CHIEF'S SHOP PLAN OF THE WEEK



PATIO SIDE TABLE



ABOUT THESE PLANS

On this first page you will see above the project complete. On the [last page](#) you'll find the finished outer dimensions. Be sure to read ALL of the project steps before you start.

To the right is a list of the Lumber, Hardware/Supplies, and Tools you will need to complete this project. A measuring tape and pencil are not included because that should be pretty standard and self explanatory.

Below What You'll Need is the Parts list. This also is included on the [Cutting Diagram](#) page, which is the next to last page of this plan document. Also on the [Cutting Diagram](#) page is an estimate of the cost of the lumber. This estimate doesn't include any other supplies and does not factor in sales tax.

Throughout these plans you'll find the icons below:



LAYOUT This indicates a diagram detailing the dimensions of a project part and/or the placement for pocket holes, screws, nails, etc.



NOTE Notes are the instructions for a particular step/section of the project.



TAKE CARE! This indicates when to pay close attention to the diagrams, take precautions for safety, etc.



MORE PLANS

Want more Chief's Shop plans? Visit chiefs-shop.com and look through the Plans section.

Be sure to "Like" Chief's Shop on facebook by heading over to [facebook.com/ChiefsShop](https://www.facebook.com/ChiefsShop).

WHAT YOU'LL NEED



LUMBER

2 - 5/4 x 6 x 8 decking
1 - 2 x 6 x 8
2 - 4 x 4 x 8

(availability will vary)

HARDWARE/SUPPLIES

Kreg HD pocket hole screws
or Kreg 2 1/2" exterior pocket hole screws
1 1/4" exterior pocket hole screws
wood glue
paint/stain/sealer/polyurethane

TOOLS

table saw or circular saw
miter saw
jigsaw or band saw
sander/belt sander
drill/driver
Kreg HD pocket hole jig
Kreg Jig
clamps
square

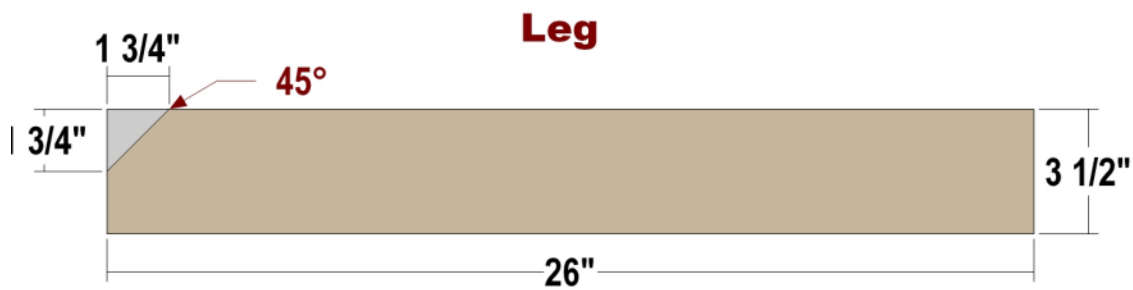
PARTS

Legs (4) - 3 1/2 x 3 1/2 x 26
Side Rails (2) - 1 1/2 x 5 1/2 x 15
End Rails (2) - 1 1/2 x 5 1/2 x 15
Outer Slats (2) - 1 x 5 1/2 x 28
Mid Slats (2) - 1 x 5 1/2 x 28
Center Slat (1) 1 x 3 1/2 x 28

All parts are listed in actual dimensions. Refer to the Cutting Diagram on the last page of this plan as a guide for determining the specific board from which to cut the parts.

VIDEO

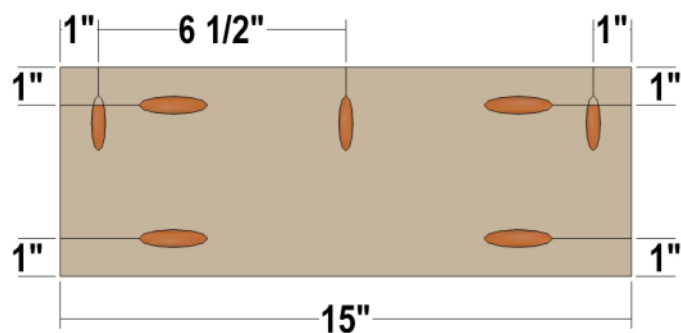
Check out Chief's Shop Videos on YouTube. ([click here](#))



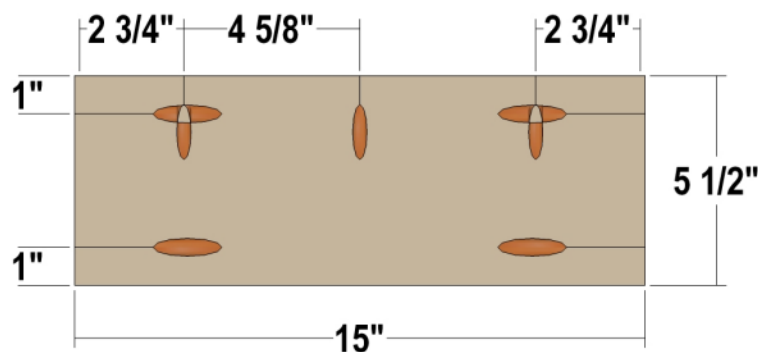
 NOTE

Use the layouts for creating the Legs (four total). Cut a 45-degree miter at the end on two adjacent edges/faces.

Side Rail



End Rail

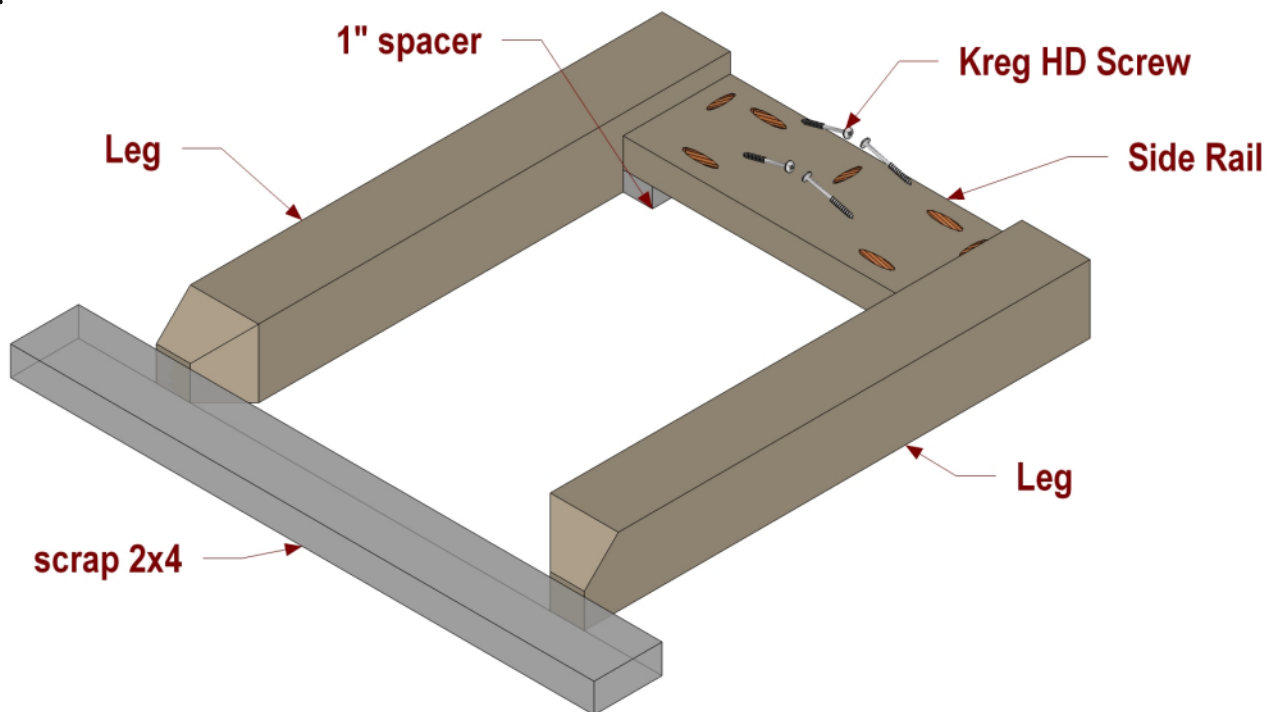


NOTE

Use the layouts for creating the Side Rails and End Rails. Set your Kreg Jig HD and drill bit for 1 1/2" stock for the horizontal holes. Set your regular Kreg Jig and drill bit for 3/4" stock for the vertical holes. You can alternately use the regular Kreg Jig for the horizontal holes.

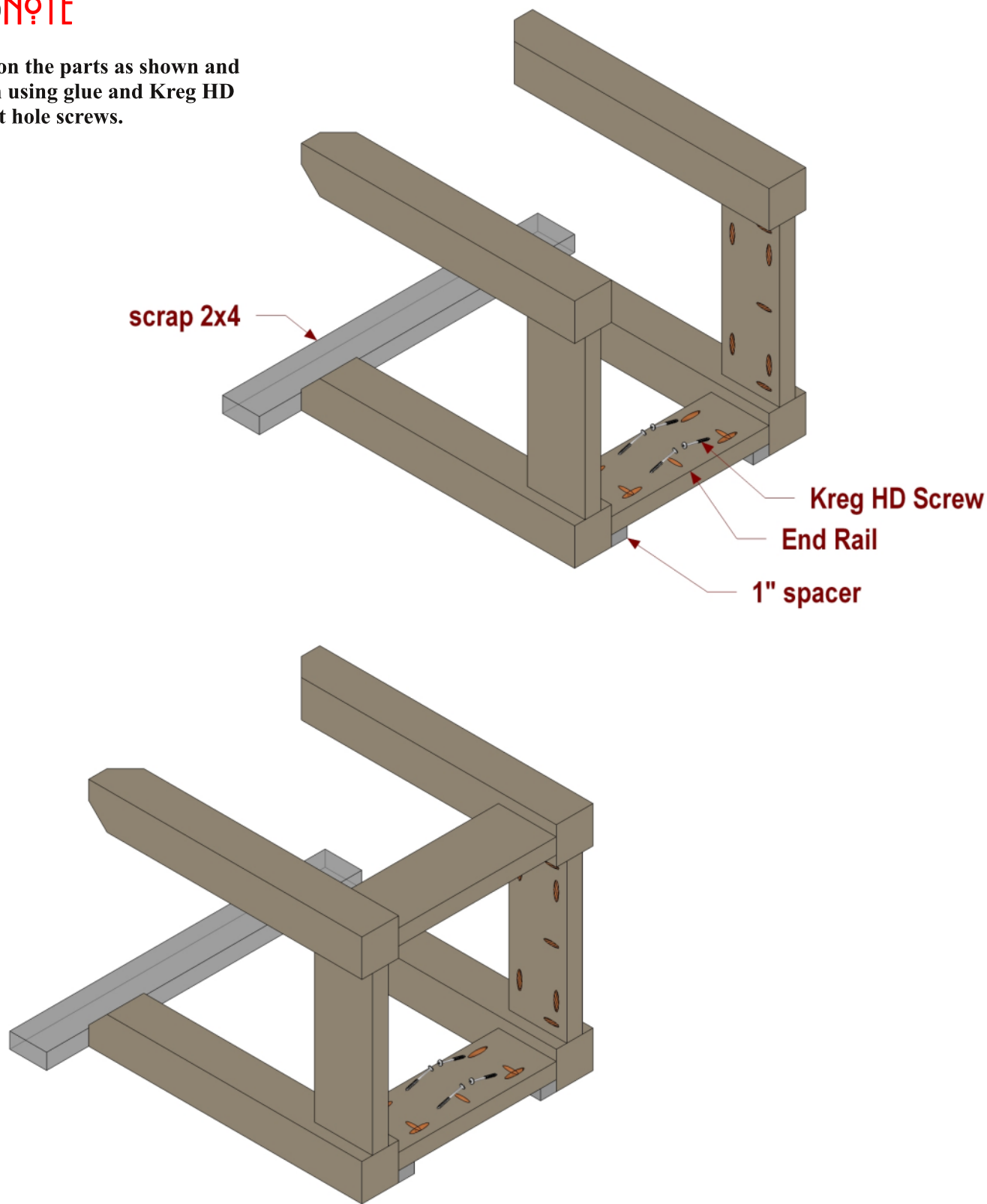
NOTE

Position the parts as shown and attach using glue and Kreg HD pocket hole screws. Create two assemblies.

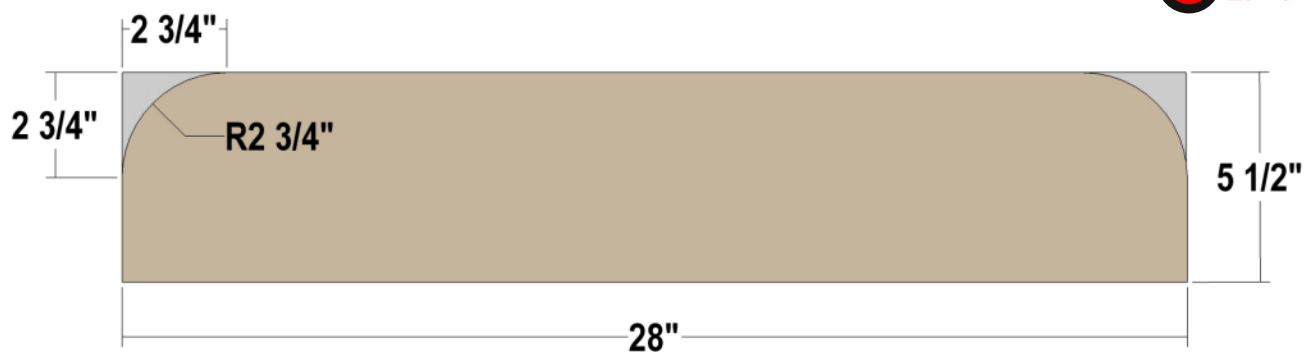


NOTE

Position the parts as shown and attach using glue and Kreg HD pocket hole screws.



Outer Slat

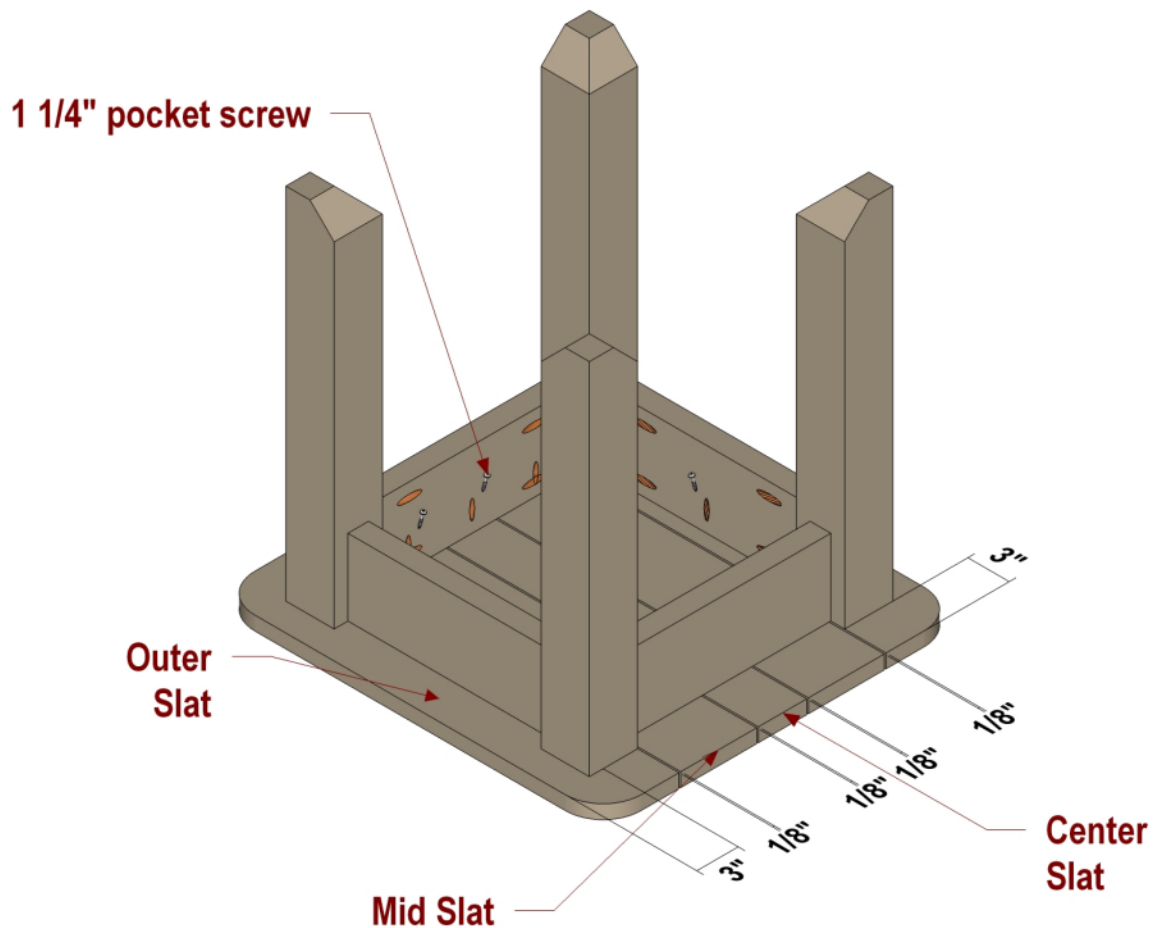


NOTE

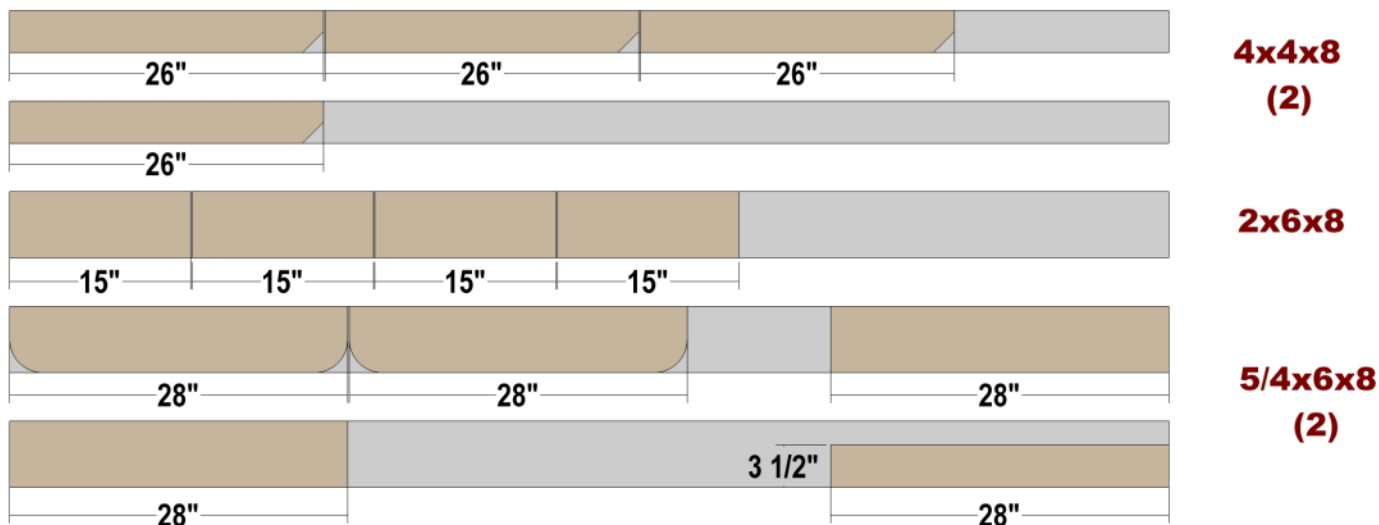
Use the layout for creating the Outer Slats. Use a jigsaw or band saw to make the cuts.



Position the parts as shown and attach using glue and 1 1/4" pocket hole screws.



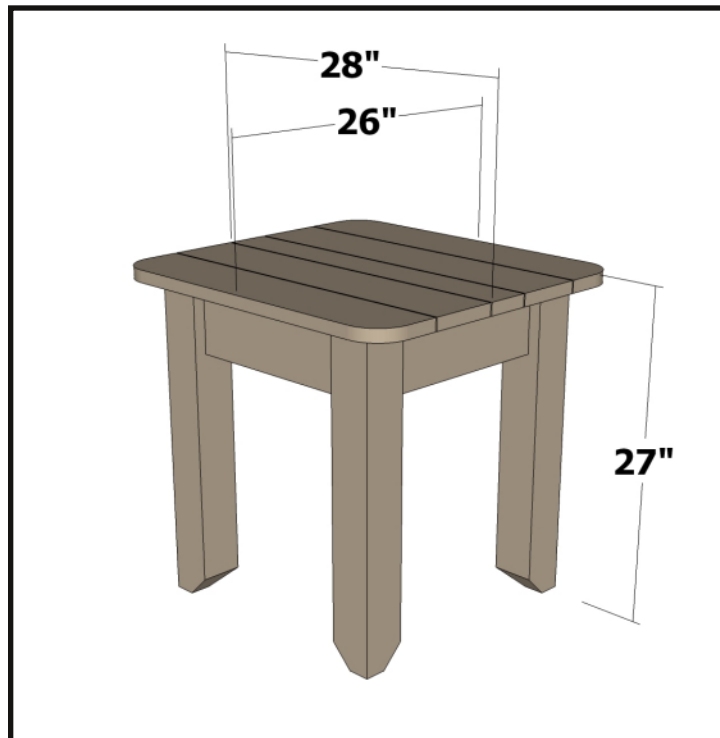
 **CUTTING DIAGRAM**



✚ PARTS ✚

Legs (4) - 3 1/2 x 3 1/2 x 26
 Side Rails (2) - 1 1/2 x 5 1/2 x 15
 End Rails (2) - 1 1/2 x 5 1/2 x 15
 Outer Slats (2) - 1 x 5 1/2 x 28
 Mid Slats (2) - 1 x 5 1/2 x 28
 Center Slat (1) 1 x 3 1/2 x 28

All parts are listed in actual dimensions. Refer to the Cutting Diagram on the last page of this plan as a guide for determining the specific board from which to cut the parts.



✚ TAKE CARE!

Follow ALL SAFETY GUIDELINES AND RECOMMENDATIONS provided by the manufacturers of your tools, and any chemicals such as glue and finishes you use in this project. YOU are responsible for your safety, so use common sense when working in the shop!