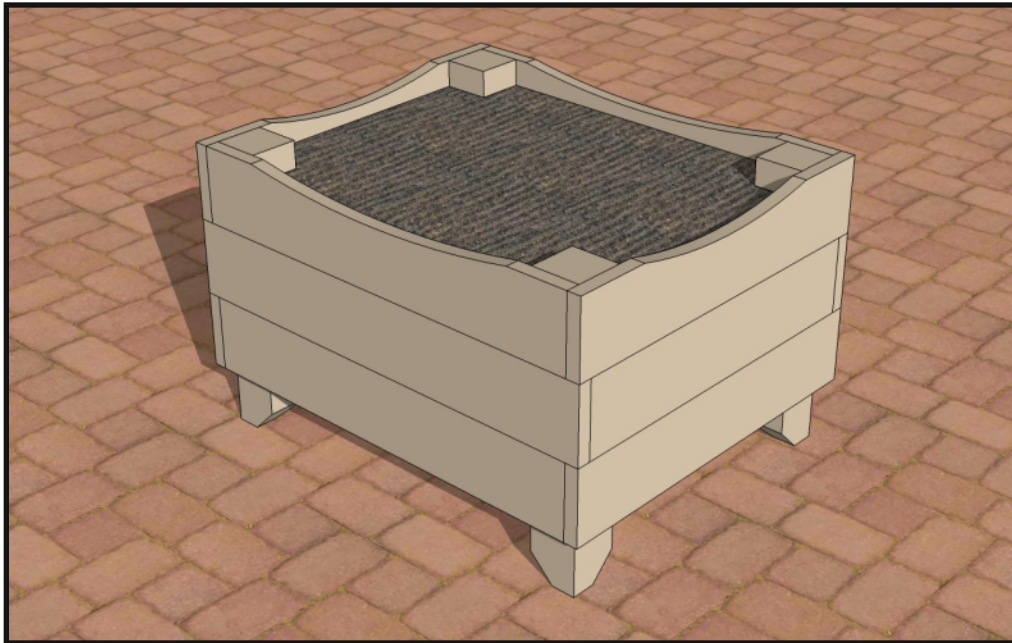


CHIEF'S SHOP PLAN OF THE WEEK



PATIO PLANTER



WHAT YOU'LL NEED



LUMBER

6 - 5/4 x 6 x 8 decking
1 - 2 x 4 x 8
1 - 4 x 4 x 8

(availability will vary)

HARDWARE/SUPPLIES

Kreg HD pocket hole screws
or Kreg 2 1/2" exterior pocket hole screws
2 1/2" deck screws
2" deck screws (optional)
landscape cloth
wood glue
paint/stain/sealer/polyurethane

TOOLS

miter saw
jigsaw or band saw
sander/belt sander
drill/driver
Kreg HD pocket hole jig
clamps
square
scissors/utility knife

ABOUT THESE PLANS

On this first page you will see above the project complete. On the [last page](#) you'll find the finished outer dimensions. Be sure to read ALL of the project steps before you start.

To the right is a list of the Lumber, Hardware/Supplies, and Tools you will need to complete this project. A measuring tape and pencil are not included because that should be pretty standard and self explanatory.

Below What You'll Need is the Parts list. This also is included on the [Cutting Diagram](#) page, which is the next to last page of this plan document. Also on the [Cutting Diagram](#) page is an estimate of the cost of the lumber. This estimate doesn't include any other supplies and does not factor in sales tax.

Throughout these plans you'll find the icons below:



LAYOUT

This indicates a diagram detailing the dimensions of a project part and/or the placement for pocket holes, screws, nails, etc.



NOTE

Notes are the instructions for a particular step/section of the project.



TAKE CARE!

This indicates when to pay close attention to the diagrams, take precautions for safety, etc.



MORE PLANS

Want more Chief's Shop plans? Visit chiefs-shop.com and look through the Plans section.

Be sure to "Like" Chief's Shop on facebook by heading over to [facebook.com/ChiefsShop](https://www.facebook.com/ChiefsShop).

PARTS

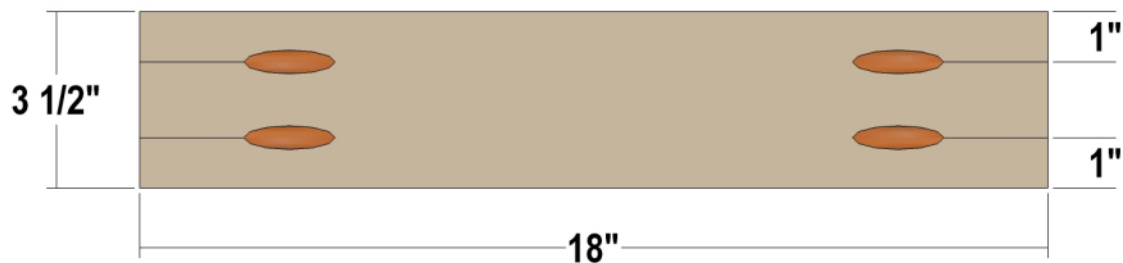
End Supports (2) - 1 1/2 x 3 1/2 x 18
Side Supports (2) - 1 1/2 x 3 1/2 x 24
Legs (4) - 3 1/2 x 3 1/2 x 21
Bottom Slats (2) - 1 x 5 1/2 x 25
Top End Slats (2) - 1 x 5 1/2 x 27
Mid End Slats (2) - 1 x 5 1/2 x 25
Bottom End Slats (2) - 1 x 5 1/2 x 27
Top Side Slats (2) - 1 x 5 1/2 x 31
Mid Side Slats (2) - 1 x 5 1/2 x 33
Bottom Side Slats (2) - 1 x 5 1/2 x 31

All parts are listed in actual dimensions. Refer to the Cutting Diagram on the last page of this plan as a guide for determining the specific board from which to cut the parts.

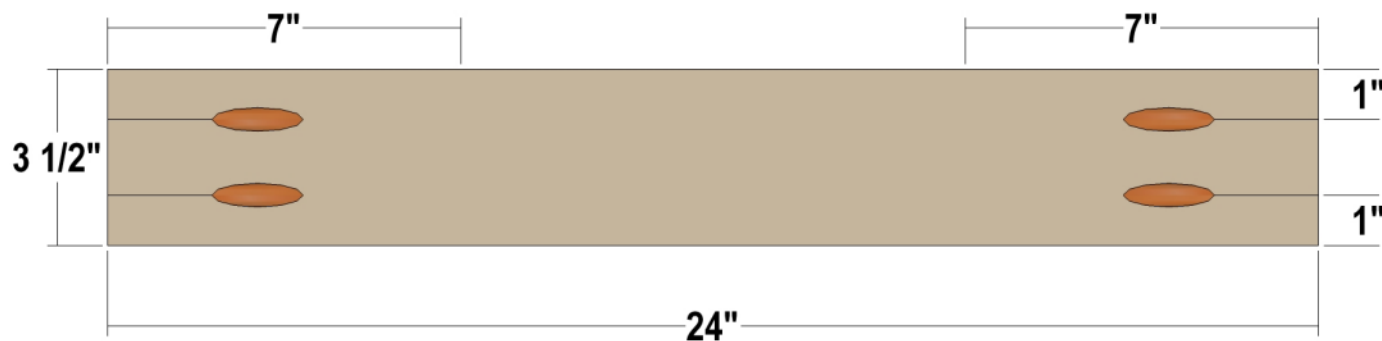
VIDEO

Check out Chief's Shop Videos on YouTube. ([click here](#))

End Support



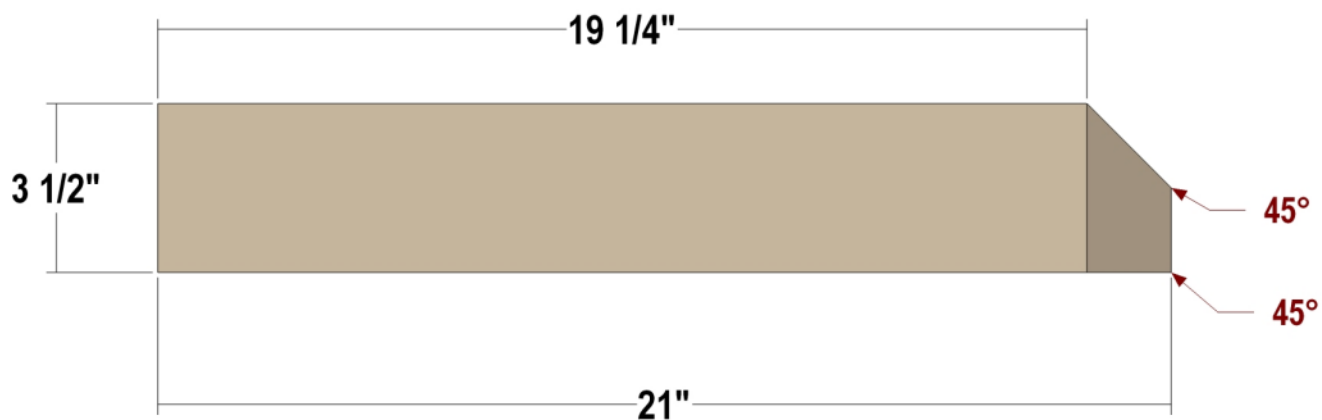
Side Support



NOTE

Use the layouts for creating the End Rails, Stretcher, and Side Rails. Set your Kreg Jig HD and drill bit for 1 1/2" stock. You can alternately use the regular Kreg Jig for this project.

Leg



Leg

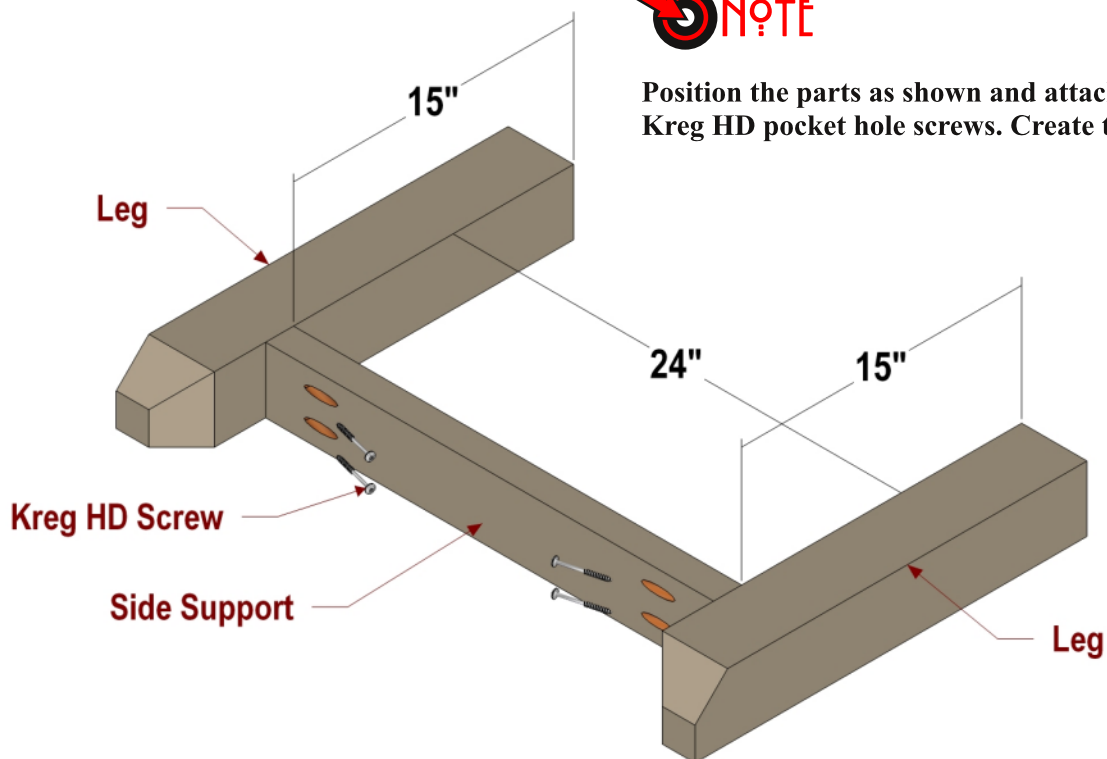


 **NOTE**

Use the layouts for creating the Legs. Cut a 45-degree miter at the end on two adjacent edges/faces.

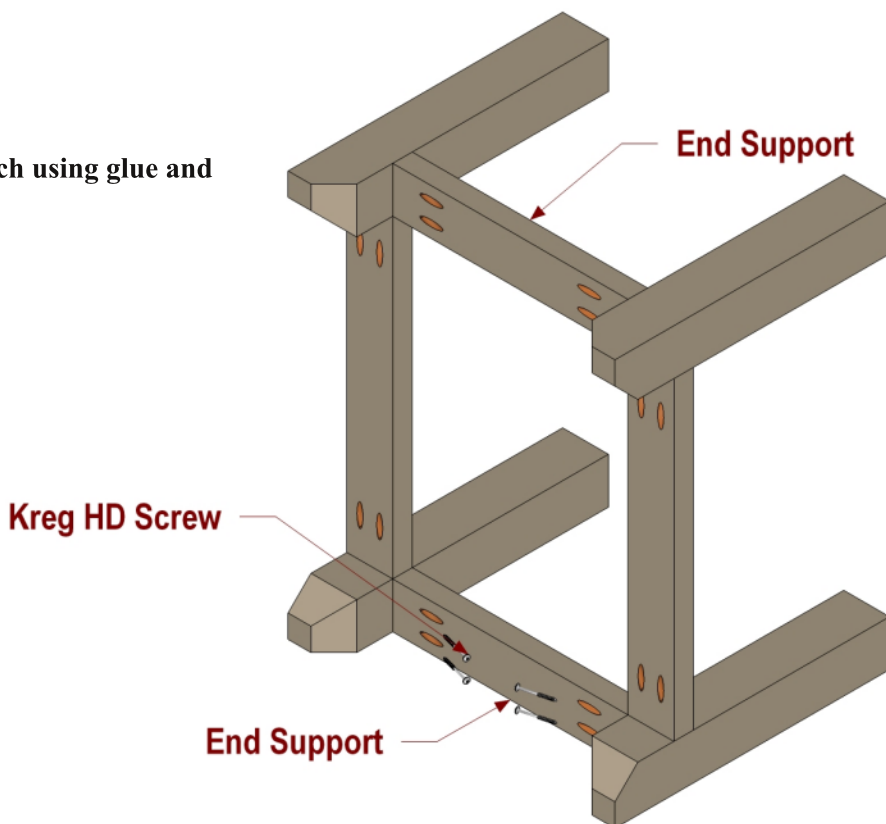
NOTE

Position the parts as shown and attach using glue and Kreg HD pocket hole screws. Create two assemblies.



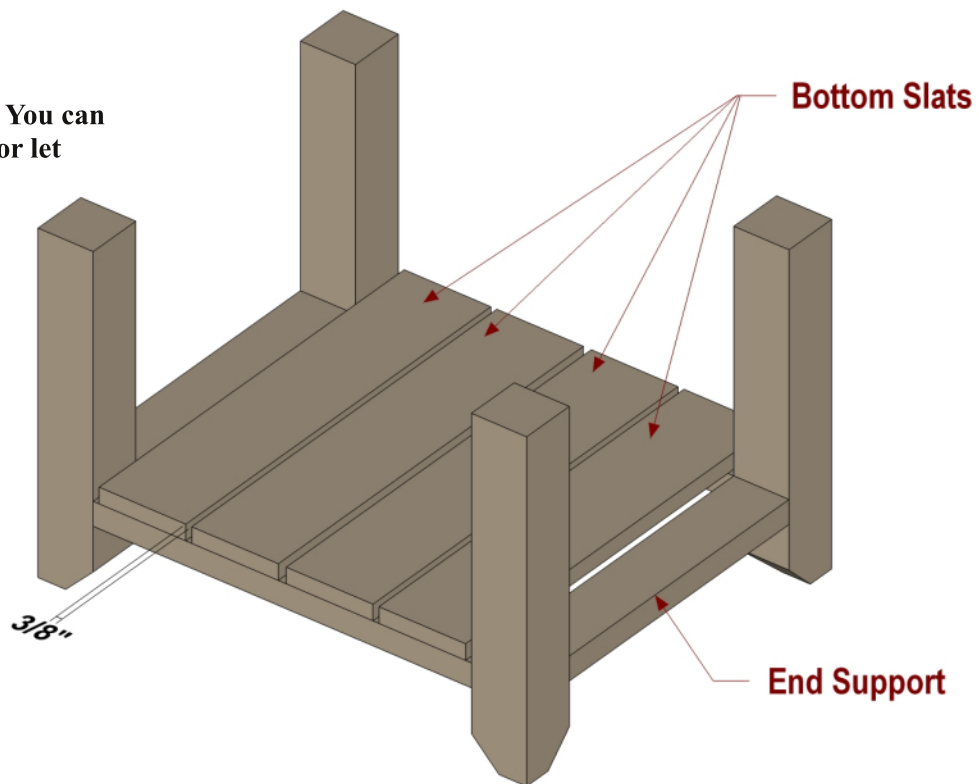
NOTE

Position the parts as shown and attach using glue and Kreg HD pocket hole screws.

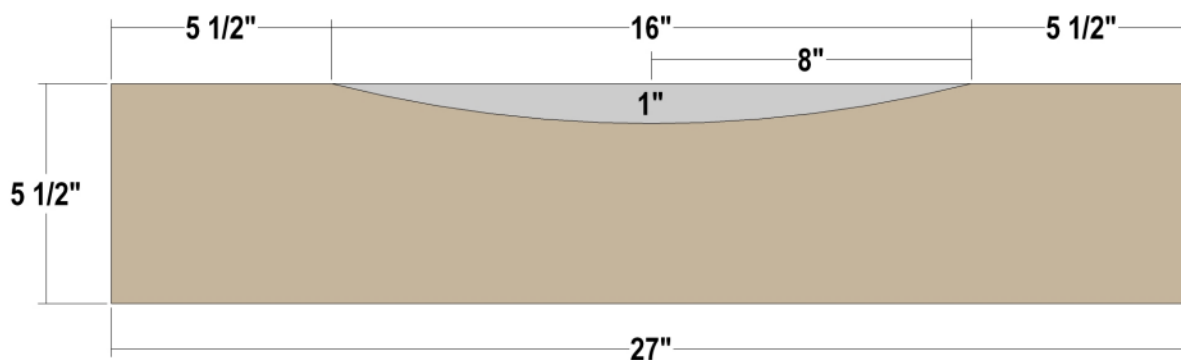


 **NOTE**

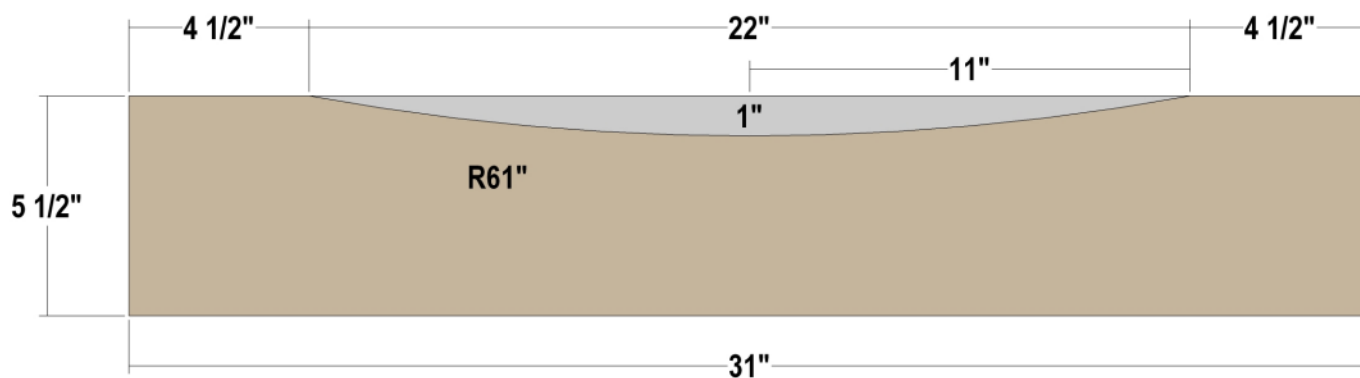
Place the Bottom Slats as shown. You can attach these using 2-inch screws or let them float in the assembly.



Top End Slat



Top Side Slat

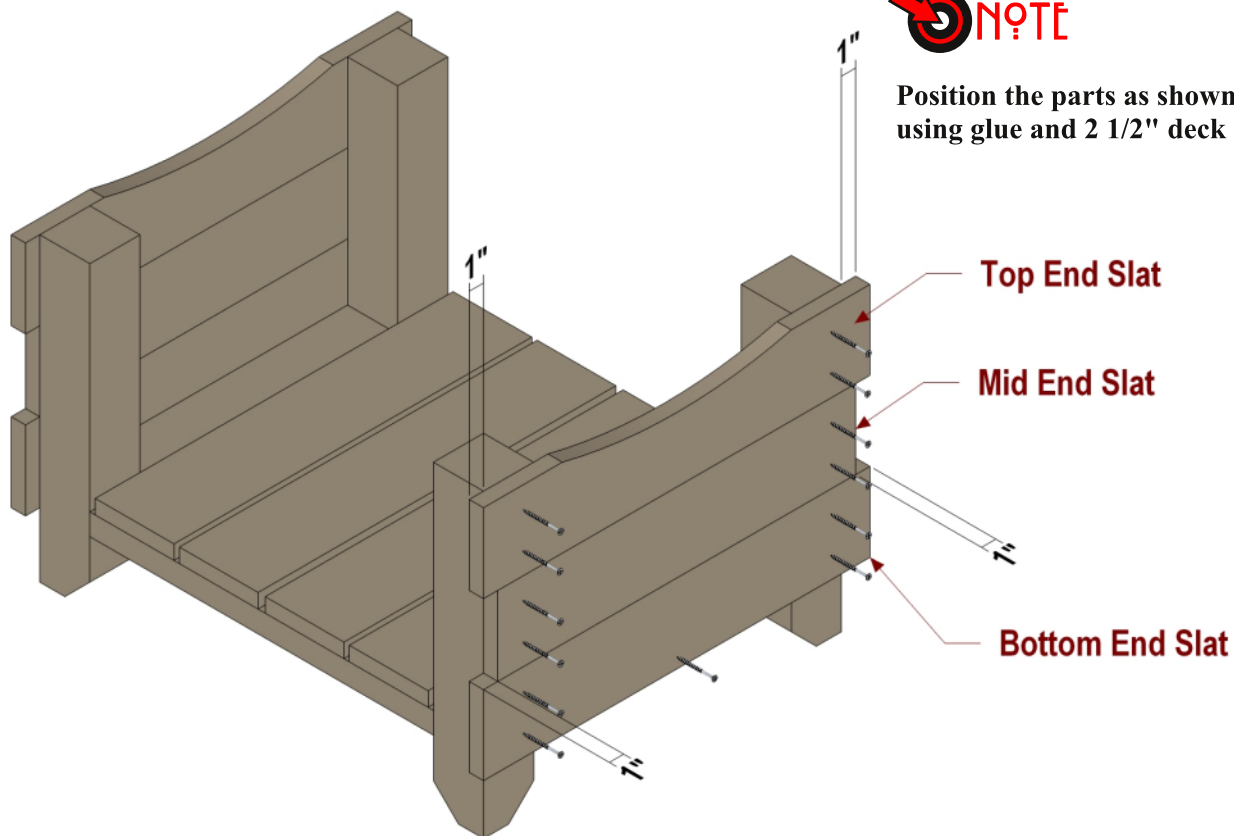


NOTE

Use the layouts to create the Top End Slats and Top Side Slats. Cut the arc in each one using a jigsaw or band saw.

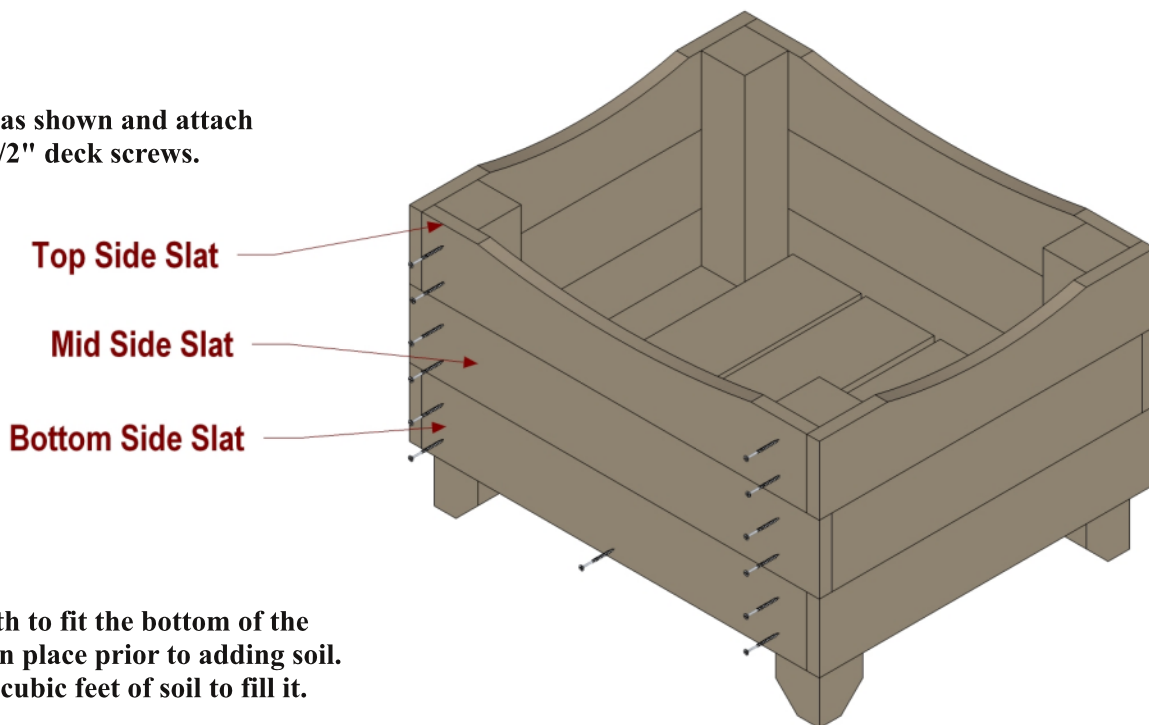
NOTE

Position the parts as shown and attach using glue and 2 1/2" deck screws.



NOTE

Position the parts as shown and attach using glue and 2 1/2" deck screws.

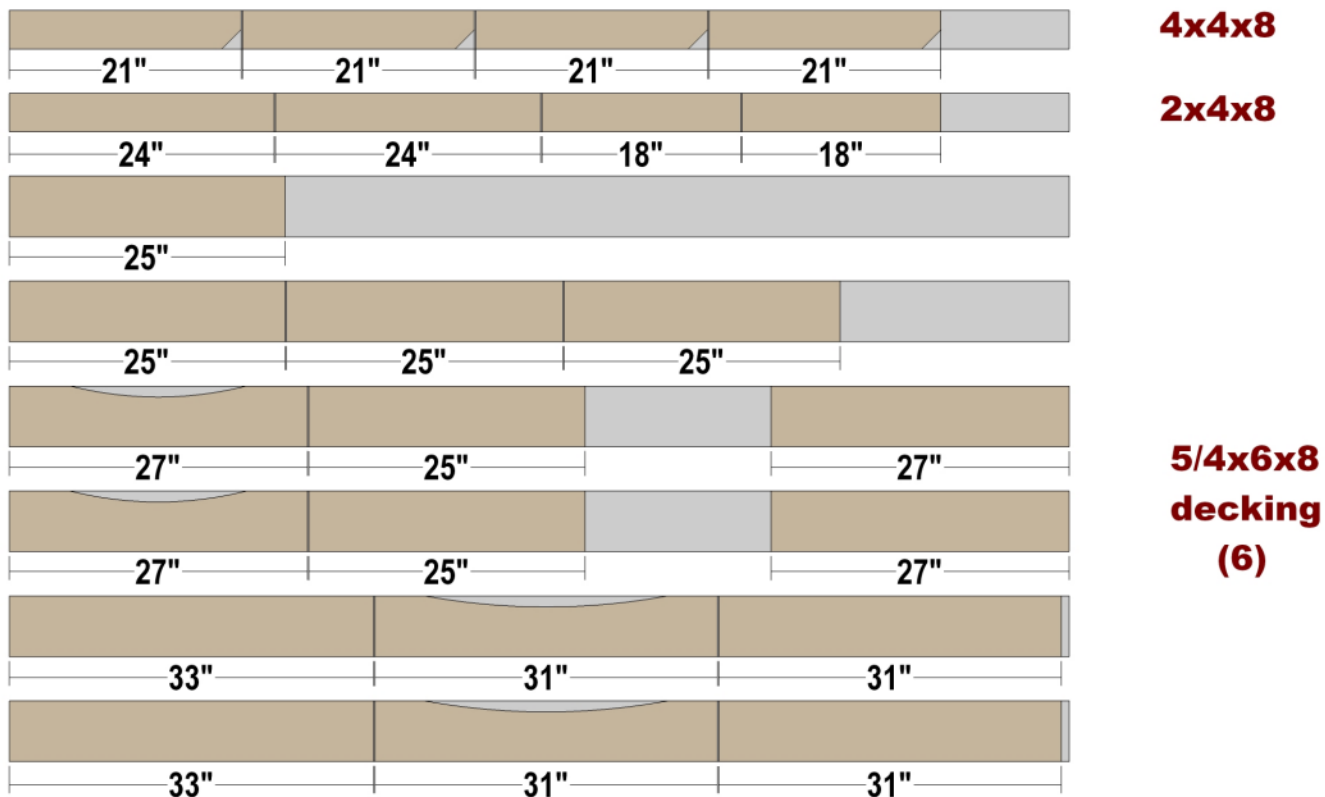


NOTE

Cut landscape cloth to fit the bottom of the assembly and set in place prior to adding soil. It takes roughly 6 cubic feet of soil to fill it.



CUTTING DIAGRAM



4x4x8

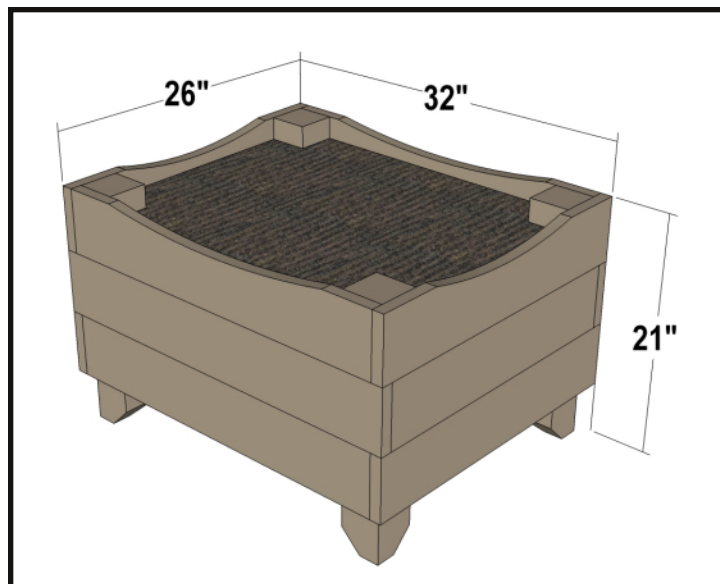
2x4x8

**5/4x6x8
decking
(6)**

✚ PARTS ✚

- End Supports (2) - 1 1/2 x 3 1/2 x 18
- Side Supports (2) - 1 1/2 x 3 1/2 x 24
- Legs (4) - 3 1/2 x 3 1/2 x 21
- Bottom Slats (2) - 1 x 5 1/2 x 25
- Top End Slats (2) - 1 x 5 1/2 x 27
- Mid End Slats (2) - 1 x 5 1/2 x 25
- Bottom End Slats (2) - 1 x 5 1/2 x 27
- Top Side Slats (2) - 1 x 5 1/2 x 31
- Mid Side Slats (2) - 1 x 5 1/2 x 33
- Bottom Side Slats (2) - 1 x 5 1/2 x 31

All parts are listed in actual dimensions. Refer to the Cutting Diagram on the last page of this plan as a guide for determining the specific board from which to cut the parts.



✚ TAKE CARE!

Follow ALL SAFETY GUIDELINES AND RECOMMENDATIONS provided by the manufacturers of your tools, and any chemicals such as glue and finishes you use in this project. YOU are responsible for your safety, so use common sense when working in the shop!