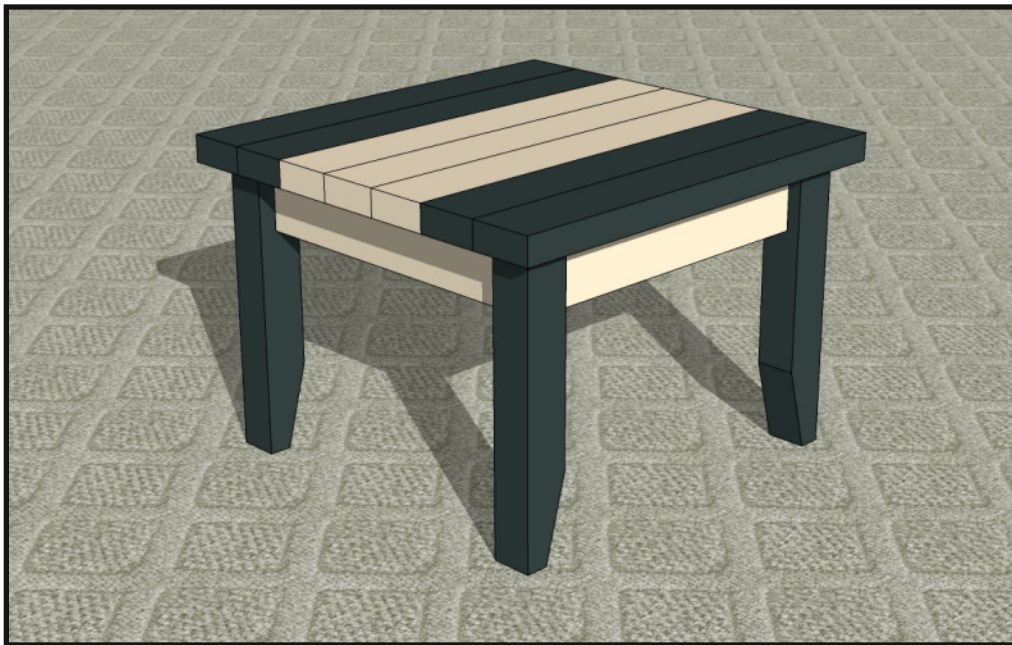


# CHIEF'S SHOP PLAN OF THE WEEK



## MULTIPURPOSE STOOL/SIDE TABLE



### WHAT YOU'LL NEED



#### LUMBER

3 - 1 x 3 x 8  
3 - 2 x 4 x 8

*(availability will vary)*

#### HARDWARE/SUPPLIES

Kreg 2 1/2" pocket hole screws  
1 1/4" brads  
wood glue  
paint/stain/  
sealer/polyurethane

#### TOOLS

table saw with tapering jig  
(optional)  
miter saw  
jigsaw (optional)  
sander/belt sander  
drill/driver  
Kreg Jig  
ruler/straightedge  
clamps  
square

### ABOUT THESE PLANS

On this first page you will see above the project complete. On the [last page](#) you'll find the finished outer dimensions. Be sure to read ALL of the project steps before you start.

To the right is a list of the Lumber, Hardware/Supplies, and Tools you will need to complete this project. A measuring tape and pencil are not included because that should be pretty standard and self explanatory.

Below What You'll Need is the Parts list. This also is included on the [Cutting Diagram](#) page, which is the next to last page of this plan document. Also on the [Cutting Diagram](#) page is an estimate of the cost of the lumber. This estimate doesn't include any other supplies and does not factor in sales tax.

Throughout these plans you'll find the icons below:



**LAYOUT** This indicates a diagram detailing the dimensions of a project part and/or the placement for pocket holes, screws, nails, etc.



**NOTE** Notes are the instructions for a particular step/section of the project.



**TAKE CARE!** This indicates when to pay close attention to the diagrams, take precautions for safety, etc.



#### MORE PLANS

Want more Chief's Shop plans? Visit [chiefs-shop.com](http://chiefs-shop.com) and look through the Plans section.

Be sure to "Like" Chief's Shop on facebook by heading over to [facebook.com/ChiefsShop](https://www.facebook.com/ChiefsShop).

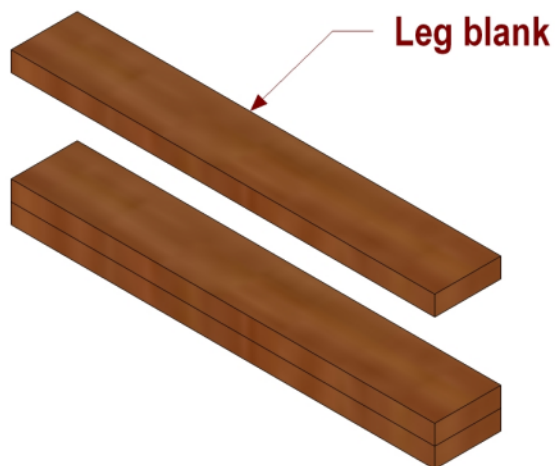
### PARTS

Legs (12) - 3/4 x 2 1/2 x 16  
End Rails (2) - 1 1/2 x 3 1/2 x 17 1/2  
Stretcher (1) - 1 1/2 x 3 1/2 x 17 1/2  
Side Rails (2) - 1 1/2 x 3 1/2 x 17 1/2  
Slats (7) - 1 1/2 x 3 1/2 x 25

*All parts are listed in actual dimensions. Refer to the Cutting Diagram on the last page of this plan as a guide for determining the specific board from which to cut the parts.*

### VIDEO

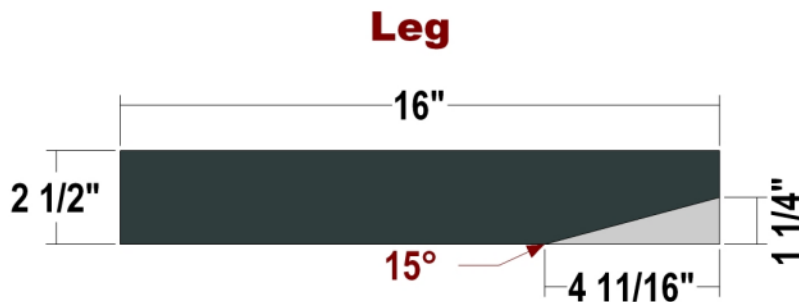
Check out Chief's Shop Videos on YouTube. ([click here](#))



**NOTE**

Cut the Legs slightly longer (1/8-inch) than what's listed on the Parts List and Cutting Diagram. Glue up three parts to create a Leg Assembly. Either clamp the parts in place or assembly with brads. When the glue dries, use a miter saw to cut to the final length (16"). Sand or scrap off any excess glue.

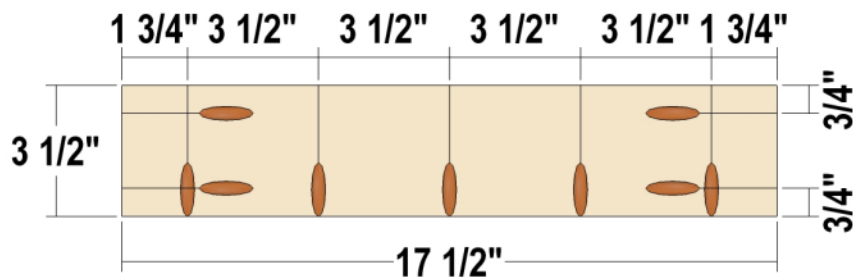
**LAYOUT**



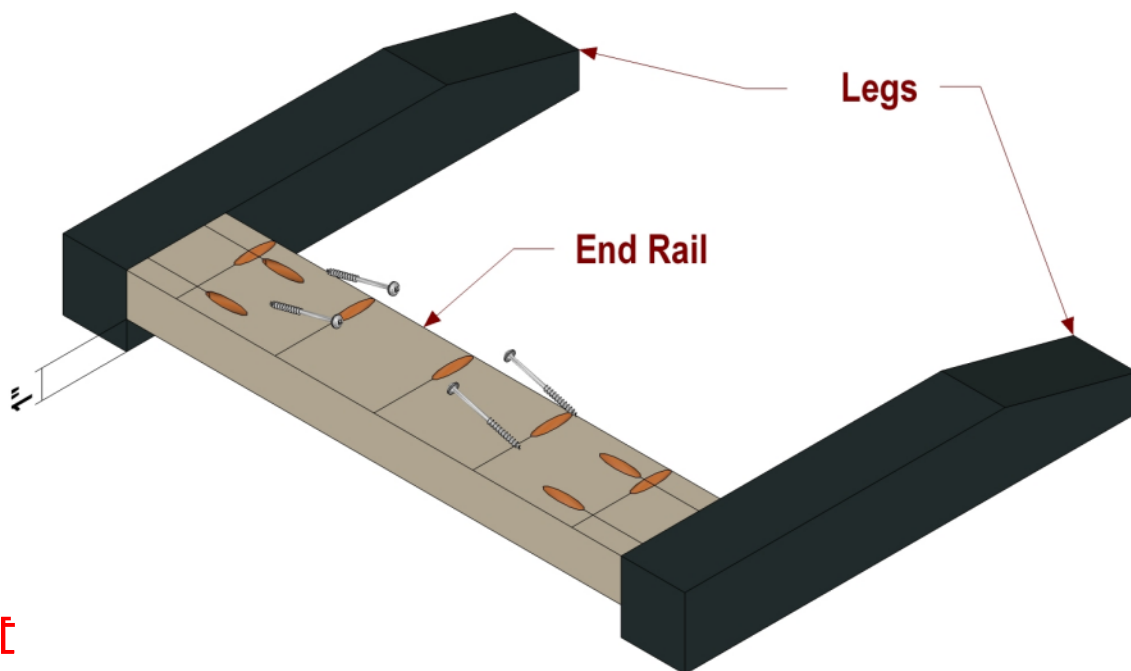
**NOTE**

Use the layout for creating the Leg Assemblies. Use either a table saw with tapering jig or a jig saw to cut the taper. If you prefer, you can leave the Leg Assemblies as is, or cut a 45-degree miter on the end using a miter saw.

Stretcher/End Rail

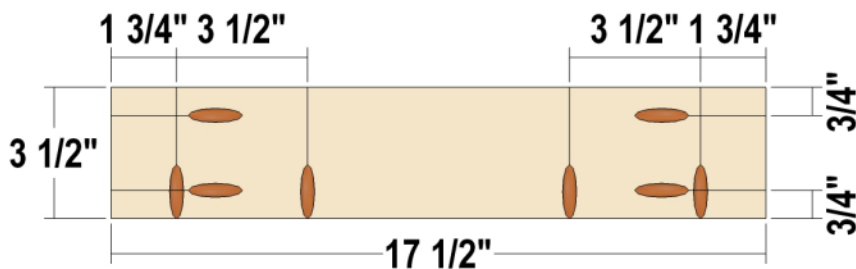


Use the layout for creating the End Rails and Stretcher. Set your Kreg Jig and drill bit for 1 1/2" stock.

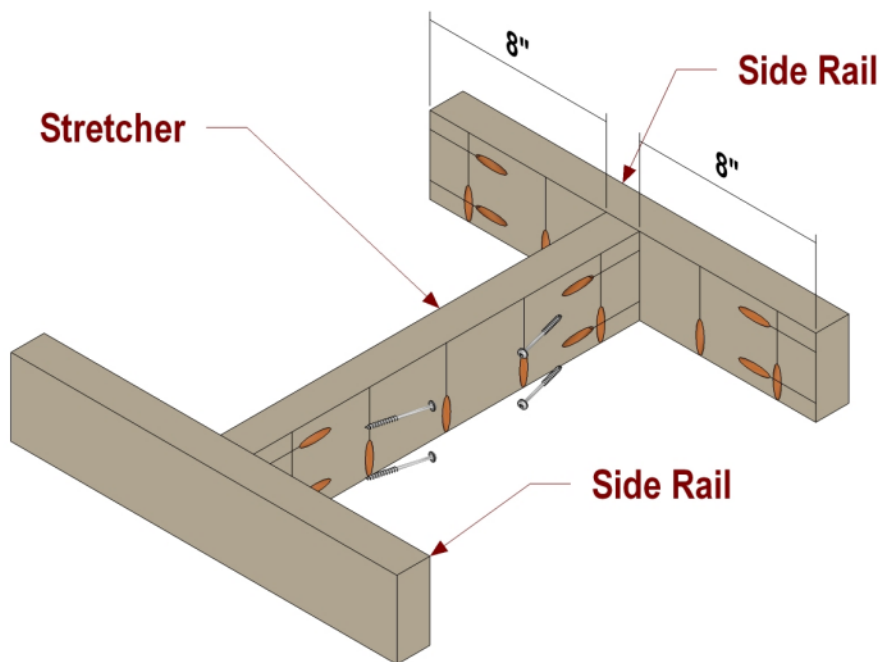


Apply glue to the ends of the End Rails and position the parts as shown. Attach using 2 1/2" pocket hole screws. Create two assemblies. Make sure the vertical pocket holes are oriented the same way (as shown) on both assemblies.

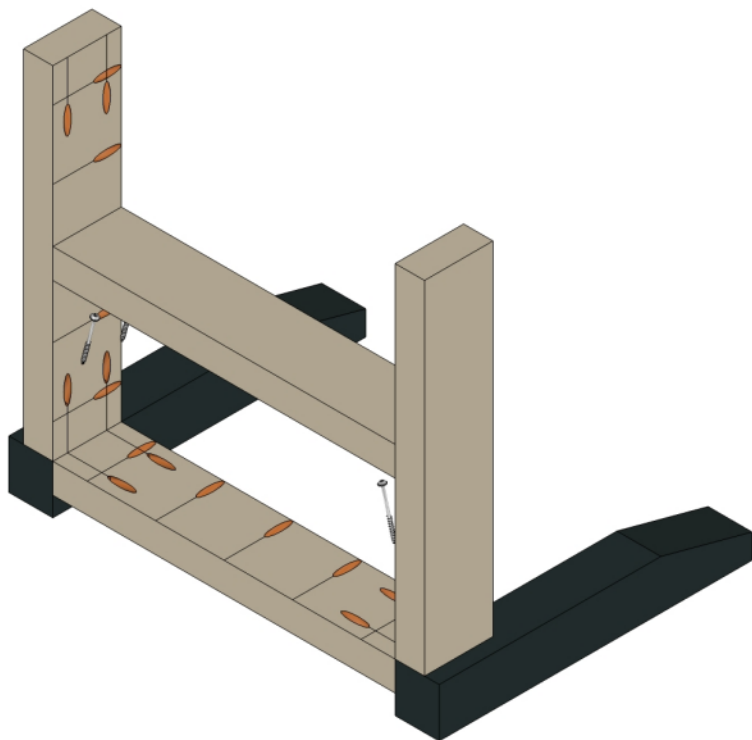
Side Rail



Use the layout for creating the Side Rails. Set your Kreg Jig and drill bit for 1 1/2" stock.

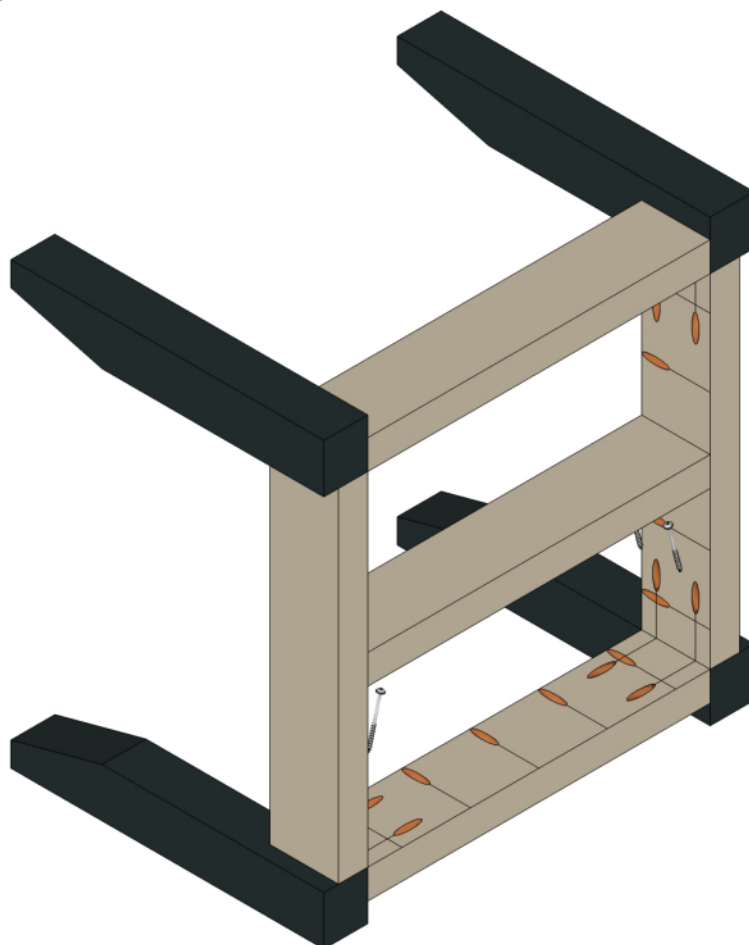


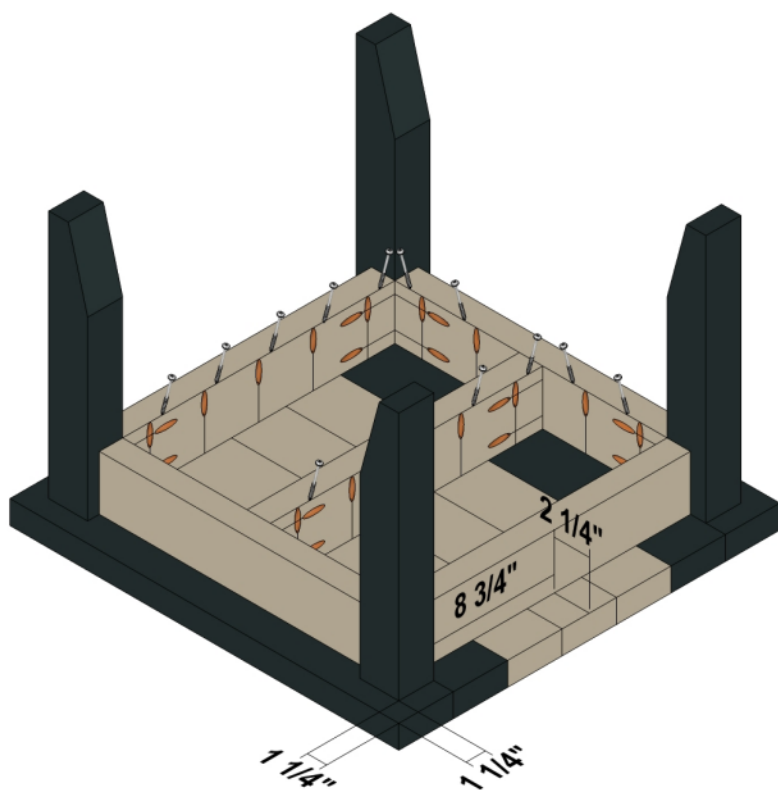
Apply glue to the ends of the Stretcher and position as shown. Attach using 2 1/2" pocket hole screws. Make sure the vertical pocket holes are all oriented the same.



**NOTE**

Apply glue to the ends of the Side Rails and position as shown at left and below. Attach using 2 1/2" pocket hole screws. Make sure the vertical pocket holes are oriented the same.

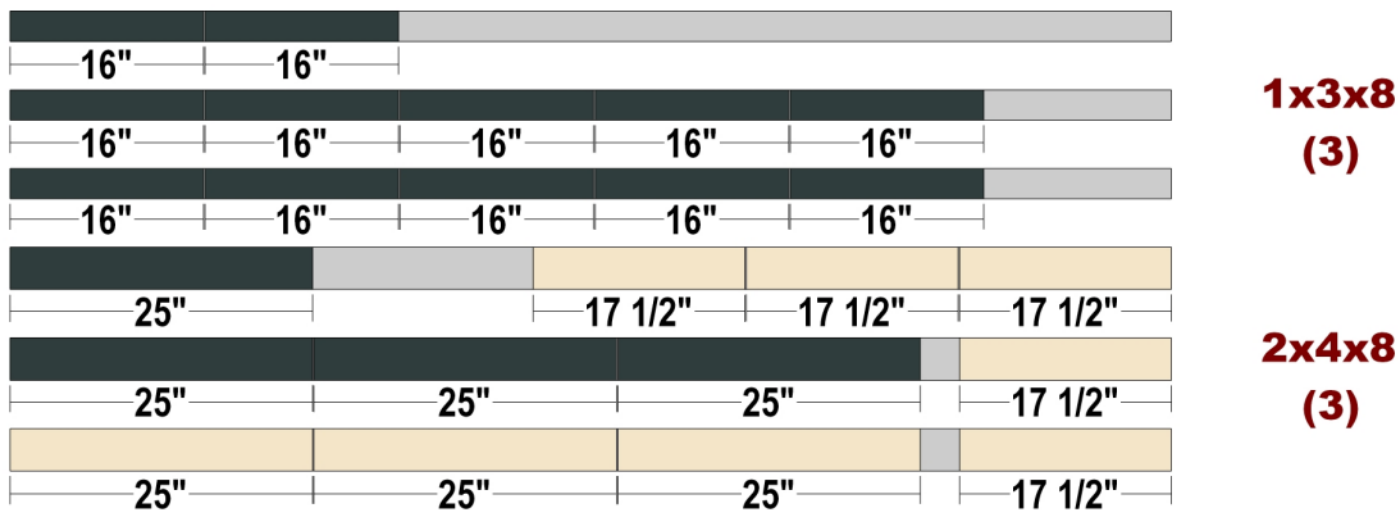




**NOTE**

Position the Slats as shown and attach using 2 1/2" pocket hole screws. Be sure to drive the screws through all the Rails and the Stretcher and into the Slats. Start with the center Slat and work your way out from the middle.

 **CUTTING DIAGRAM**

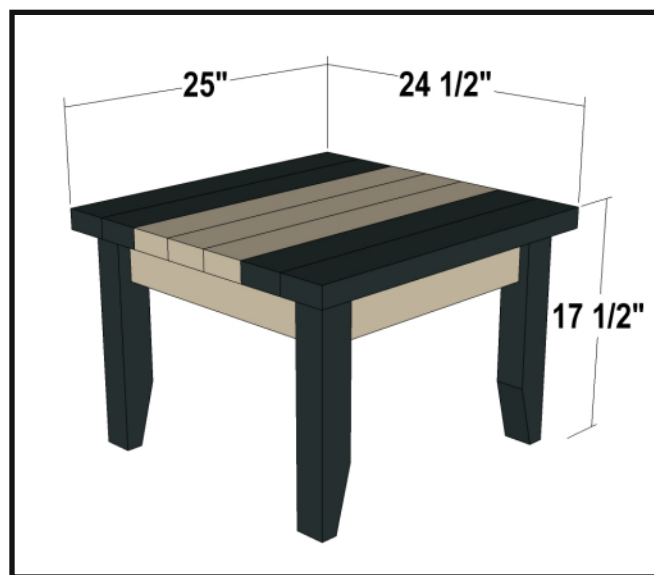


**PARTS**

Legs (12) - 3/4 x 2 1/2 x 16  
 End Rails (2) - 1 1/2 x 3 1/2 x 17 1/2  
 Stretcher (1) - 1 1/2 x 3 1/2 x 17 1/2  
 Side Rails (2) - 1 1/2 x 3 1/2 x 17 1/2  
 Slats (7) - 1 1/2 x 3 1/2 x 25

All parts are listed in actual dimensions. Refer to the Cutting Diagram on the last page of this plan as a guide for determining the specific board from which to cut the parts.

Estimated lumber cost:  
starting at \$20



**TAKE CARE!**

Follow ALL SAFETY GUIDELINES AND RECOMMENDATIONS provided by the manufacturers of your tools, and any chemicals such as glue and finishes you use in this project. YOU are responsible for your safety, so use common sense when working in the shop!