

CHIEF'S SHOP PLAN OF THE WEEK



SIMPLE WOODWORKING: GARDEN SIDE TABLE



WHAT YOU'LL NEED



LUMBER

6 - 2 x 4 x 8

(availability will vary)

HARDWARE/SUPPLIES

2 1/2" pocket hole screws
wood glue
paint, stain, polyurethane,
or sealer

TOOLS

miter saw
jig saw
sander/belt sander
drill/driver
Kreg pocket hole jig
clamps
square

ABOUT THESE PLANS

On this first page you will see above the project complete. On the [last page](#) you'll find the finished outer dimensions. Be sure to read ALL of the project steps before you start.

To the right is a list of the Lumber, Hardware/Supplies, and Tools you will need to complete this project. A measuring tape and pencil are not included because that should be pretty standard and self explanatory.

Below What You'll Need is the Parts list. This also is included on the [Cutting Diagram](#) page, which is the next to last page of this plan document. Also on the [Cutting Diagram](#) page is an estimate of the cost of the lumber. This estimate doesn't include any other supplies and does not factor in sales tax.

Throughout these plans you'll find the icons below:



LAYOUT

This indicates a diagram detailing the dimensions of a project part and/or the placement for pocket holes, screws, nails, etc.



NOTE

Notes are the instructions for a particular step/section of the project.



TAKE CARE!

This indicates when to pay close attention to the diagrams, take precautions for safety, etc.



MORE PLANS

Want more Chief's Shop plans? Visit chiefs-shop.com and look through the Plans section.

Be sure to "Like" Chief's Shop on facebook by heading over to [facebook.com/ChiefsShop](https://www.facebook.com/ChiefsShop).

PARTS

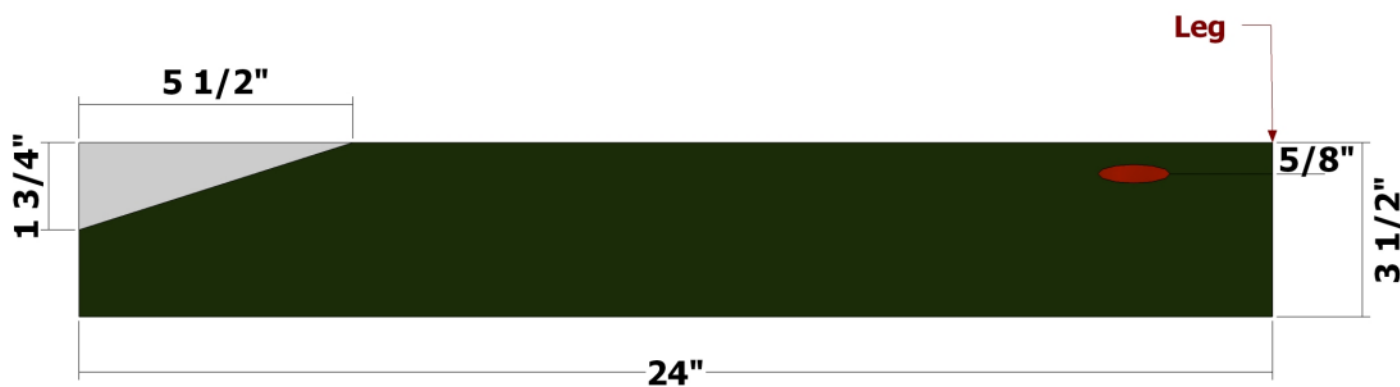
Legs (4) - 1 1/2 x 3 1/2 x 24
Top End Rails (2) - 1 1/2 x 3 1/2 x 13
Bottom End Rails (2) - 1 1/2 x 3 1/2 x 13
Top Side Rails (2) - 1 1/2 x 3 1/2 x 18 3/4
Top Stretcher (1) - 1 1/2 x 3 1/2 x 13
Bottom Side Rails (2) - 1 1/2 x 3 1/2 x 18 3/4
Bottom Stretcher (1) - 1 1/2 x 3 1/2 x 21 1/4
Top Slats (5) - 1 1/2 x 3 1/2 x 27 3/4
Short Shelf Slats (2) - 1 1/2 x 3 1/2 x 13
Long Shelf Slats (5) - 1 1/2 x 3 1/2 x 18

All parts are listed in actual dimensions. Refer to the Cutting Diagram on the last page of this plan as a guide for determining the specific board from which to cut the parts.

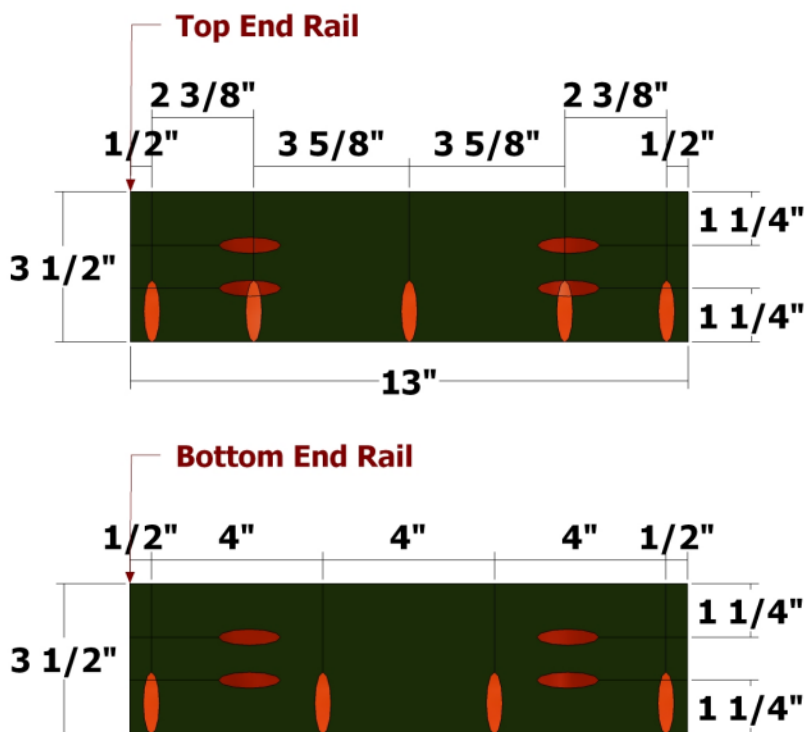
VIDEO

Check out Chief's Shop Videos on YouTube. ([click here](#))

 LAYOUT

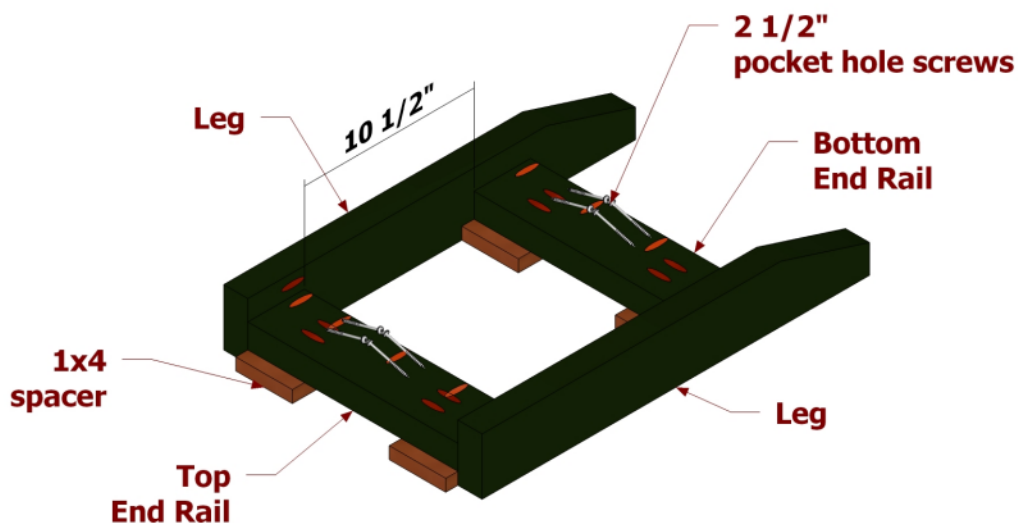


Use the layouts above for creating the Legs. Make two of each layout. Set your Kreg Jig and drill bit for 1 1/2" stock to drill the one pocket hole on each Leg.



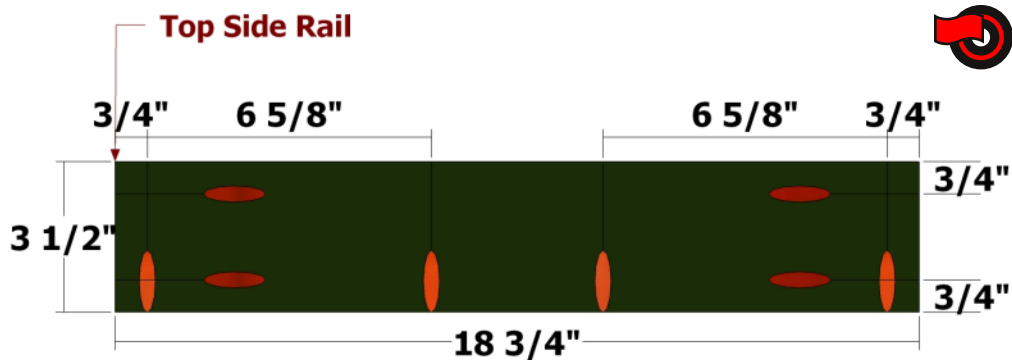
NOTE

Use the layouts above for creating the Top End Rails and Bottom End Rails. Make two of each layout. Set your Kreg Jig and drill bit for 1 1/2" stock to drill the pocket holes.

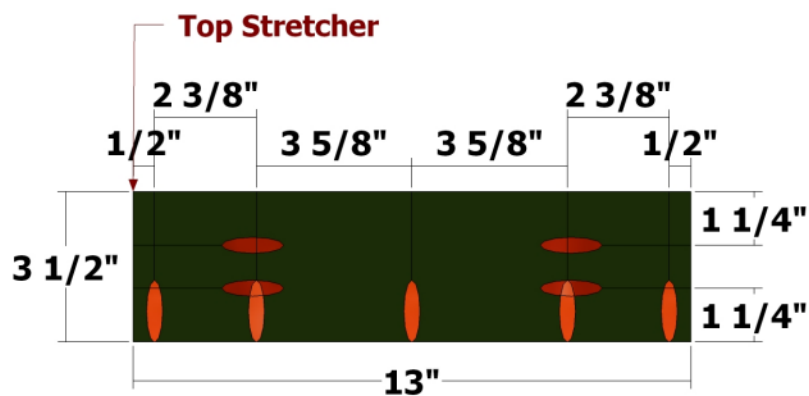


NOTE

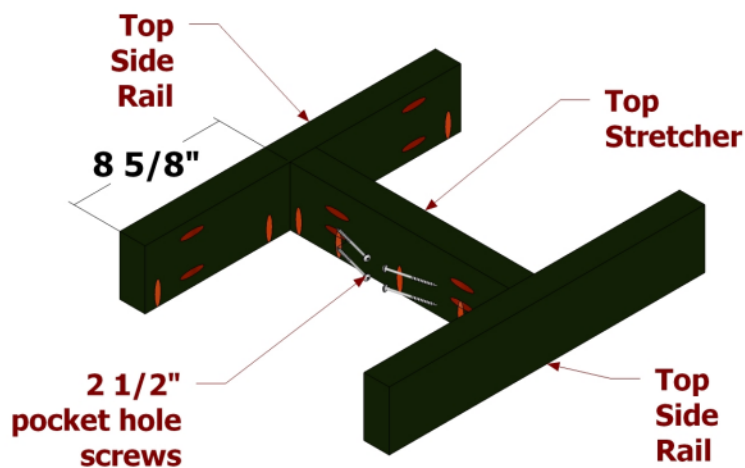
Position the parts as shown above and attach using glue and 2 1/2" pocket hole screws. Use spacers cut from 1x4 (or any 1x) scrap as shown to position the parts. Create two End Assemblies.

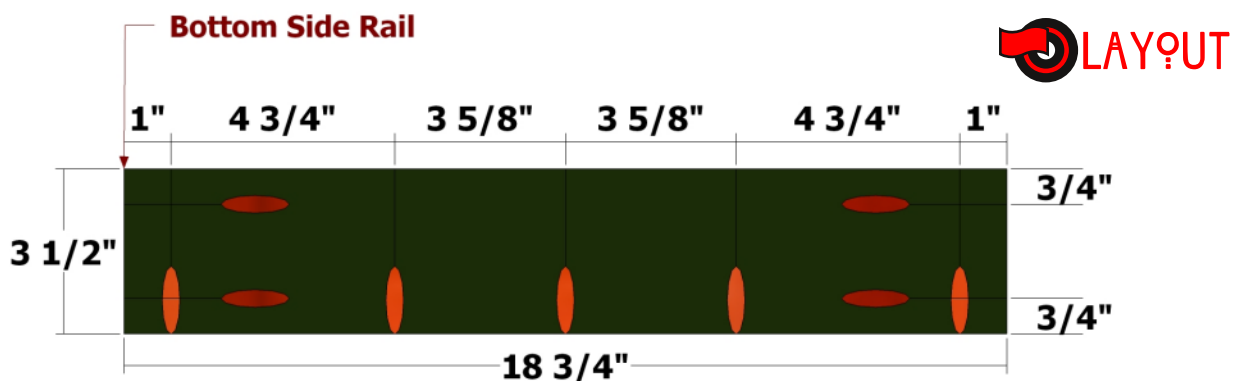


NOTE Use the layout above and below for creating the Top Side Rails and Top Stretcher. Set your Kreg Jig and drill bit for 1 1/2" stock to drill the pocket holes.

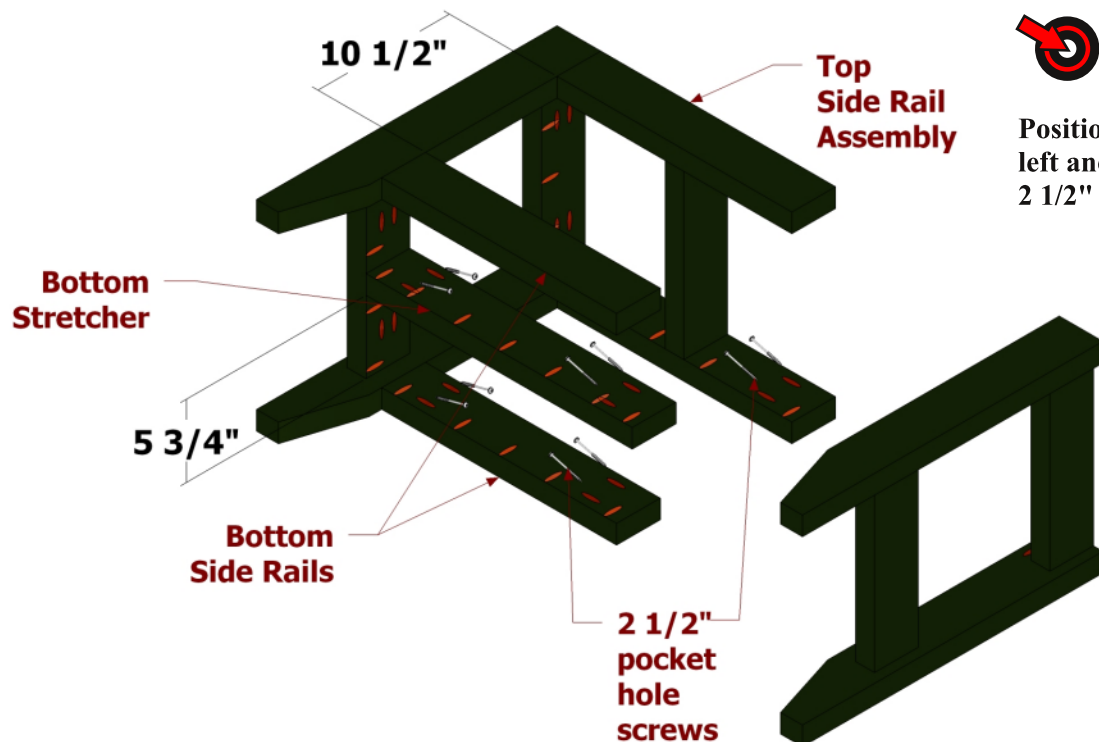
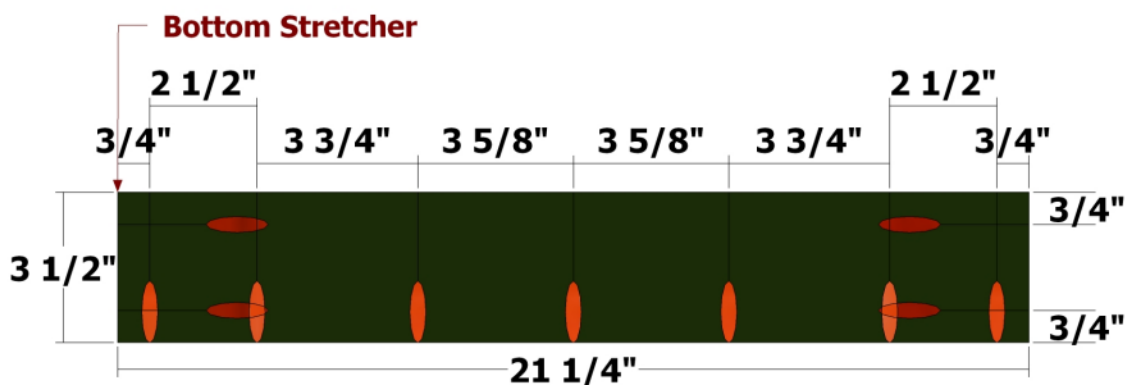


NOTE Position the parts as shown below and attach using glue and 2 1/2" pocket hole screws.





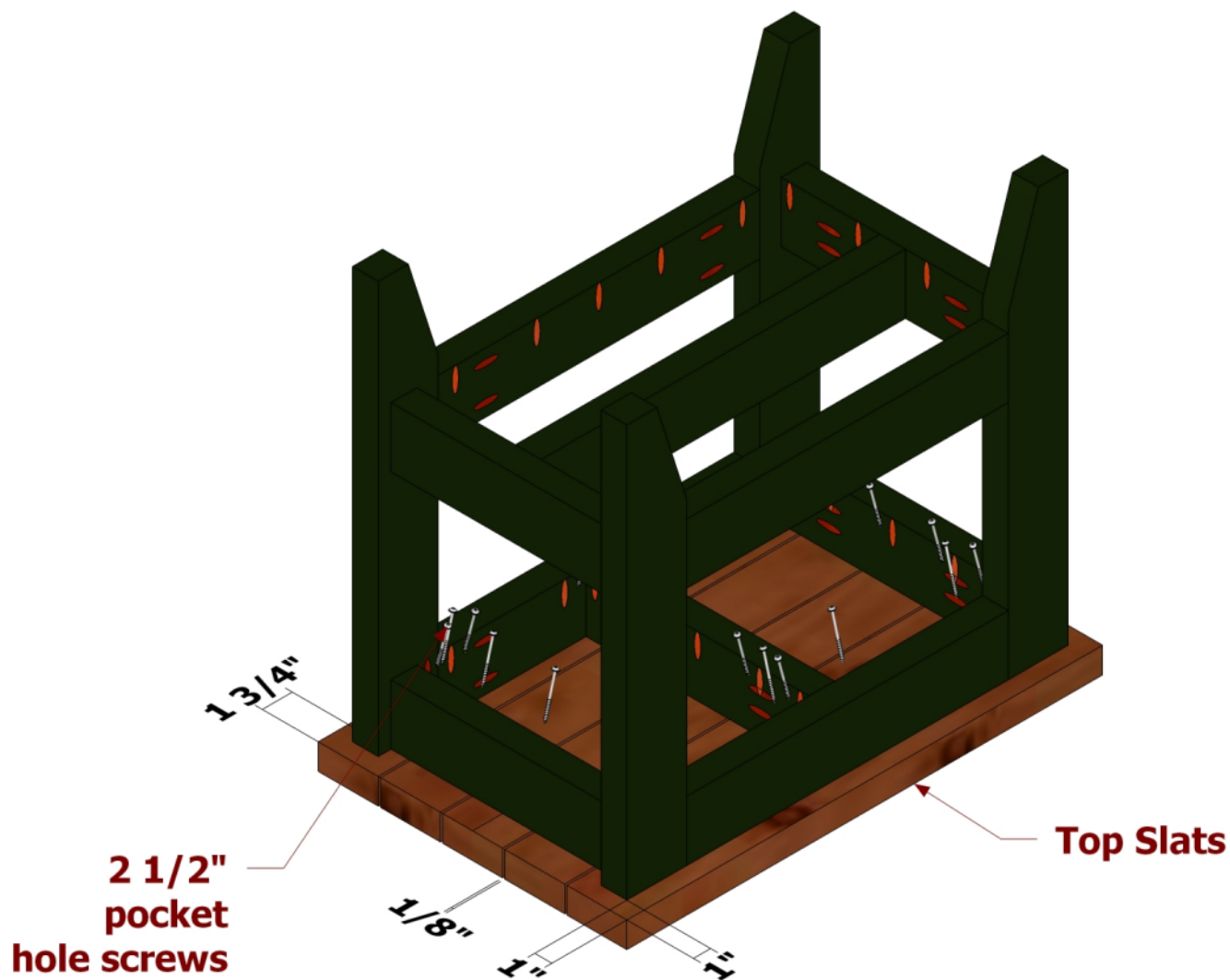
NOTE Use the layout above and below for creating the Bottom Side Rails and Bottom Stretcher. Set your Kreg Jig and drill bit for 1 1/2" stock to drill the pocket holes.



NOTE Position the parts as shown at left and attach using glue and 2 1/2" pocket hole screws.

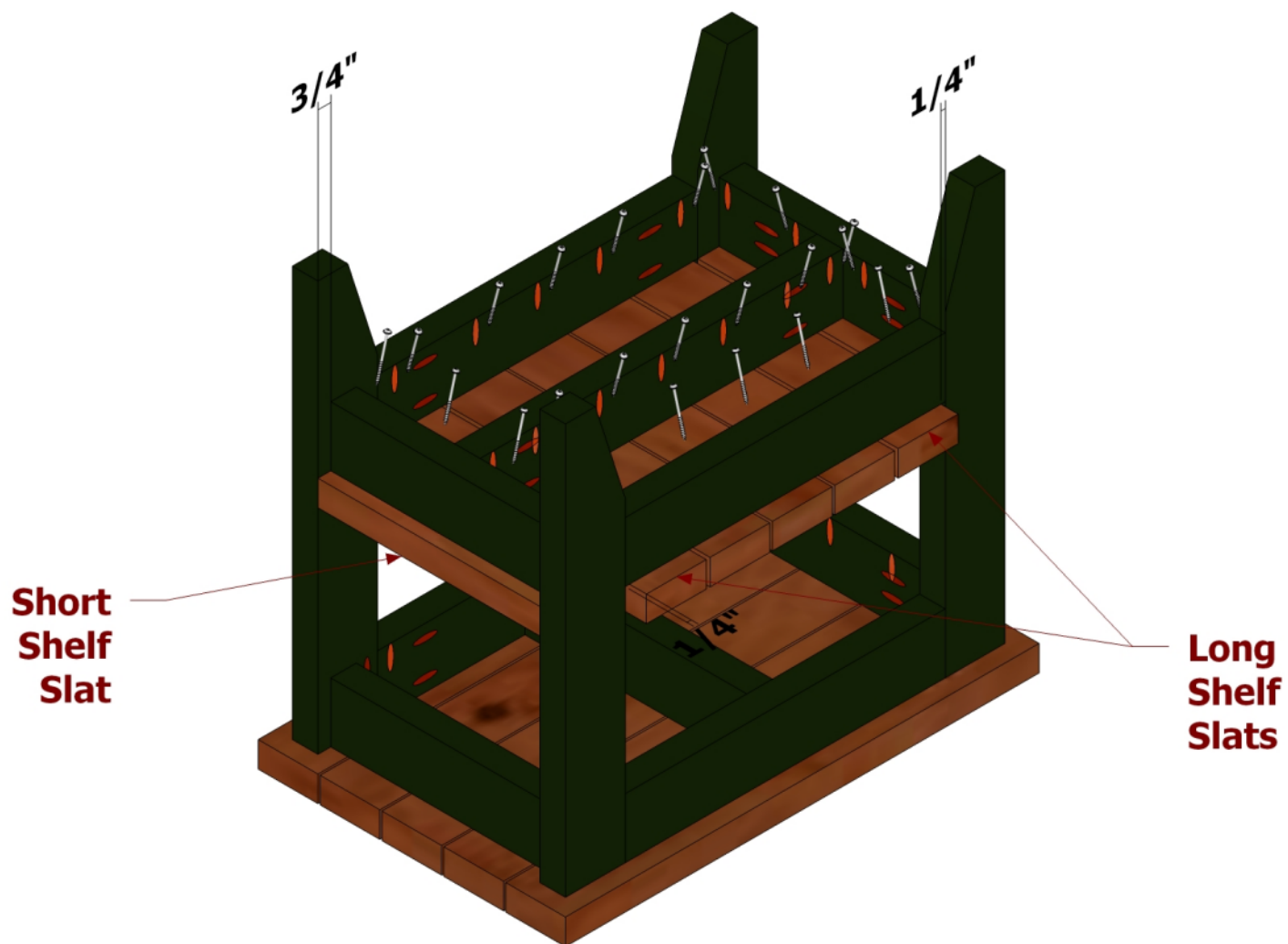
 **NOTE**

Position the parts as shown below and attach using glue and 2 1/2" pocket hole screws at the Top Side Rails, Top End Rails, Legs, and Top Stretcher.

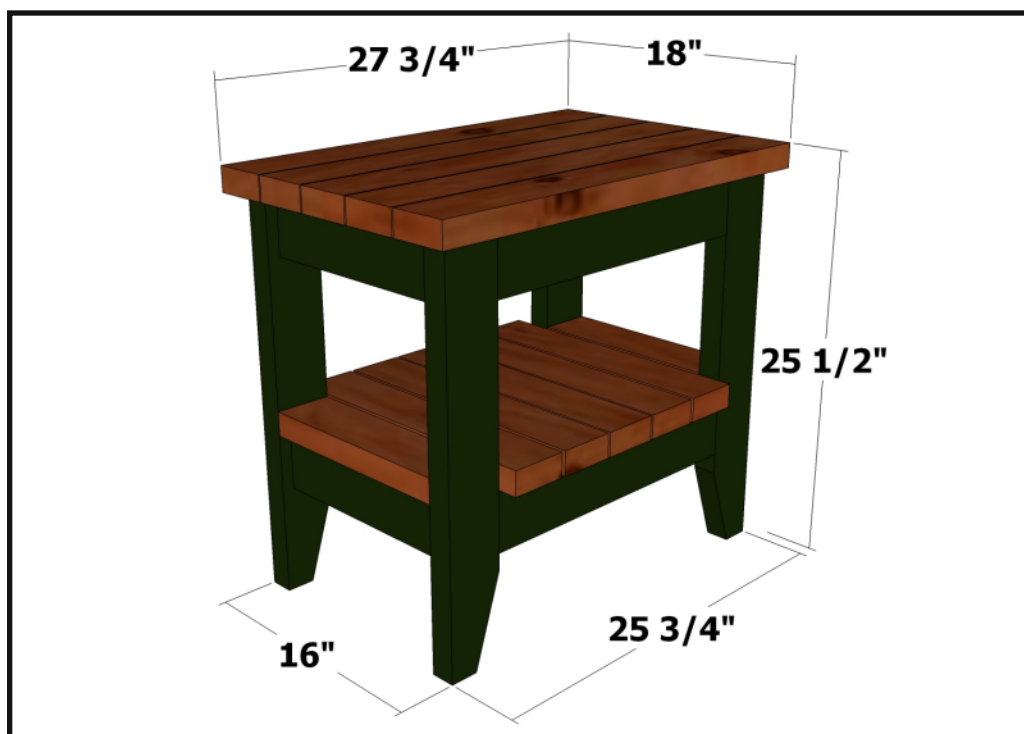
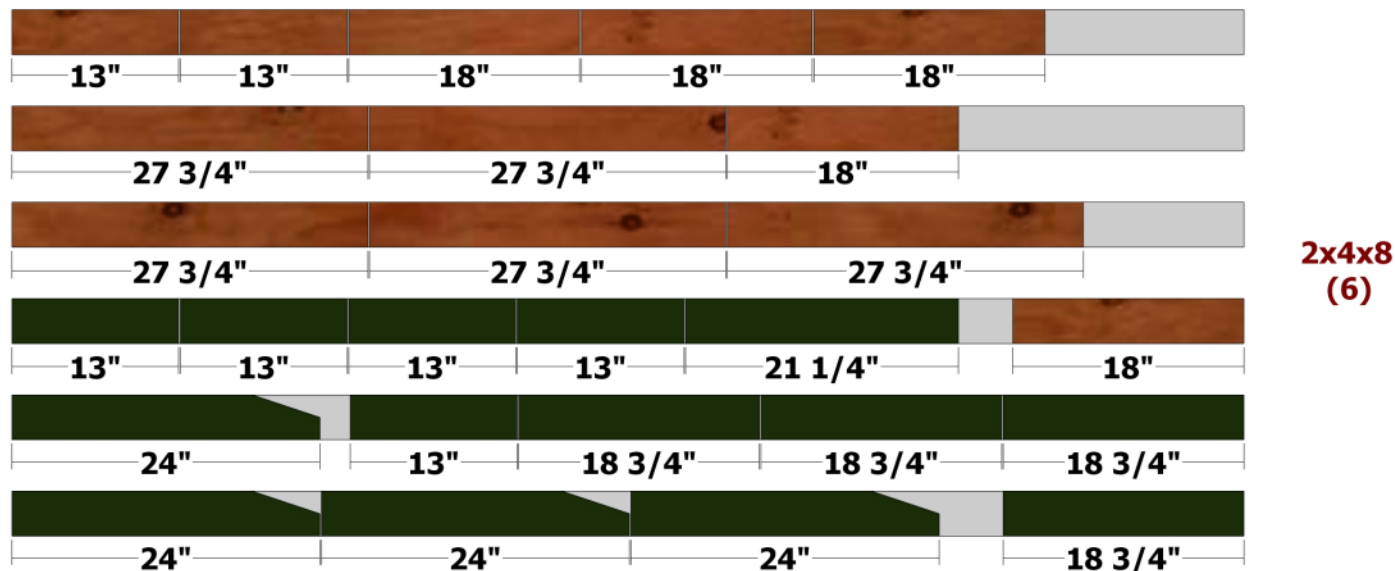




Position the parts as shown below and attach using glue and 2 1/2" pocket hole screws at the Bottom Side Rails, Bottom End Rails, and Bottom Stretcher.



 **CUTTING DIAGRAM**



 **PARTS** 

- Legs (4) - 1 1/2 x 3 1/2 x 24
- Top End Rails (2) - 1 1/2 x 3 1/2 x 13
- Bottom End Rails (2) - 1 1/2 x 3 1/2 x 13
- Top Side Rails (2) - 1 1/2 x 3 1/2 x 18 3/4
- Top Stretcher (1) - 1 1/2 x 3 1/2 x 13
- Bottom Side Rails (2) - 1 1/2 x 3 1/2 x 18 3/4
- Bottom Stretcher (1) - 1 1/2 x 3 1/2 x 21 1/4
- Top Slats (5) - 1 1/2 x 3 1/2 x 27 3/4
- Short Shelf Slats (2) - 1 1/2 x 3 1/2 x 13
- Long Shelf Slats (5) - 1 1/2 x 3 1/2 x 18

All parts are listed in actual dimensions. Refer to the Cutting Diagram on the last page of this plan as a guide for determining the specific board from which to cut the parts.

 **TAKE CARE!**

Follow ALL SAFETY GUIDELINES AND RECOMMENDATIONS provided by the manufacturers of your tools, and any chemicals such as glue and finishes you use in this project. YOU are responsible for your safety, so use common sense when working in the shop!